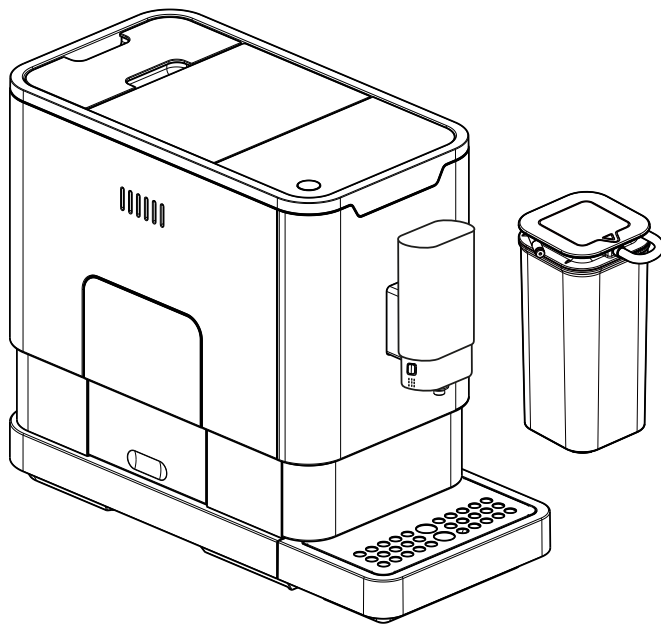


# Fully Automatic Espresso Machine

User Manual



CEG5331X

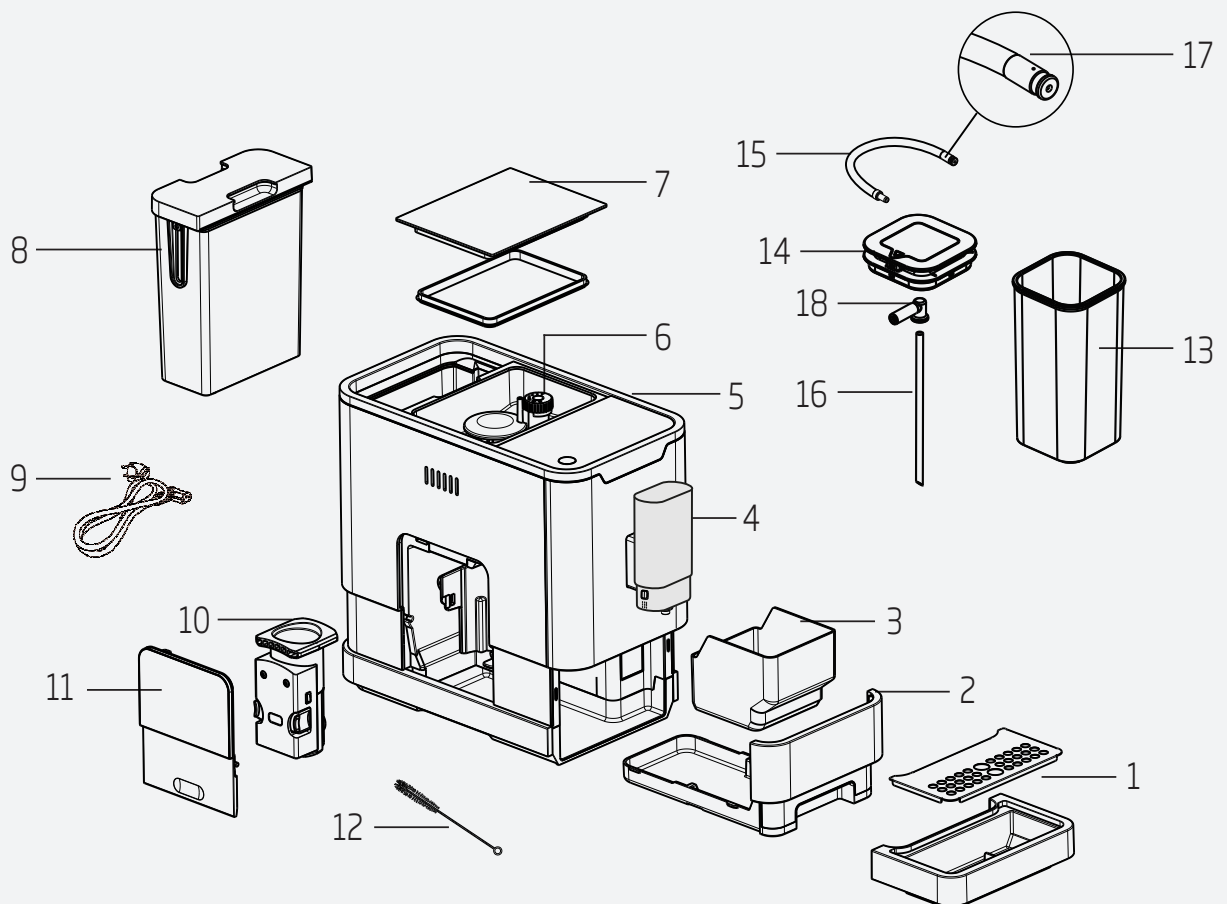
EN | DE | FR | TR | ES | CS  
IT | PL | RO | SK | AR

01M-8813563200-4918-01

**beko**

## CONTENTS

<b>ENGLISH</b>	<b>5-28</b>
<b>DEUTSCH</b>	-
<b>FRANÇAIS</b>	-
<b>TÜRKÇE</b>	-
<b>ESPAÑOL</b>	-
<b>ČESKY</b>	-
<b>ITALIANO</b>	-
<b>POLSKI</b>	-
<b>SLOVENSKÝ</b>	-
<b>ROMÂNĂ</b>	-



# Please read this user manual first!

Dear Customers,

Thank you for selecting a Beko product. We hope that you get the best results from your product which has been manufactured with high quality and state-of-the-art technology. Therefore, please read this entire user manual and all other accompanying documents carefully before using the product and keep it as a reference for future use. If you handover the product to someone else, give the user manual as well. Follow all warnings and information in the user manual.

1. External Drip Tray
2. Internal Drip Tray
3. Coffee Grounds Container
4. Adjustable coffee spout
5. Control Panel
6. Coffee Bean compartment
7. Coffee Beans Container Cover
8. Water Tank
9. Power cord
10. Brewer
11. Service Door
12. Cleaness brush
13. Milk container
14. Milk container lid
15. Connection milk tube

# Meanings of the symbols

Following symbols are used in the various section of this manual:



Important information or useful hints about usage.



**DANGER:** Warning for hazardous situations with regard to life and property.



**WARNING:** Warning indicates a potentially dangerous situation.



**CAUTION:** Warning indicates potential material damage.

16. Container milk tube
17. Milk tube connector
18. Connection rubber

## Technical data

### Power supply:

220-240 V~, 50-60 Hz

**Power:** 1350 W

Technical and design modifications reserved.

All declared values on the product and on the printed leaflets are picked up after laboratory measurements performed according to related standarts. These values may differ upon usage and ambient conditions.



This product has been produced in environmentally-friendly, state-of-the-art facilities.

Complies with the WEEE Directive.



It does not contain PCB.

# 1 Important instructions for safety and environment

This section includes the safety instructions that will help providing protection against personal injury and material loss risks. Failure to follow these instructions invalidates the granted warranty.

## 1.1 Danger of electric current

Danger to life by electric current! Contact with live wires or components could lead to serious injury or even death! Observe the following safety precautions to avoid electric shocks:

- Do not use the coffee machine if the connecting cable or mains plug are damaged.
- Before reusing the coffee machine, the mains cable must be renewed by a qualified electrician.

- Do not open the housing of the coffee machine. Danger of electric shock if live connections are touched and/or the electrical and mechanical configuration is changed.
- Before cleaning the bean container, pull the mains plug of the appliance out of the socket. Danger from rotating coffee mill!

## 1.2 Danger of burning or scalding

Parts of the coffee machine can become very hot during operation! Dispensed drinks and escaping steam are very hot!

- Observe the following safety precautions to avoid burning/scalding yourself and/or others:
- Do not touch either of the metal sleeves on both coffee spouts.

# 1 Important instructions for safety and environment

- Avoid direct contact of the skin with escaping steam or hot rinsing, cleaning and descaling water.
- Repairs to the coffee machine must only be carried out by an authorised specialist or by the works customer service. Unqualified repairs can lead to considerable danger for the user. They will also void the warranty.

## 1.3 Fundamental safety precautions

Observe the following safety precautions to ensure safe handling of the coffee machine:

- Never play with packaging material. Risk of suffocation.
- Inspect the coffee machine for visible signs of damage before use. Do not use a damaged coffee machine.
- If the connecting cable is damaged, it should only be replaced by a service agent recommended by the manufacturer in order to prevent any danger! Please contact the manufacturer or his customer service.
- Repairs to the coffee machine during the warranty period may only be carried out by service centres authorised by the manufacturer, otherwise the warranty will become void in the event of subsequent damage.
- Defective parts may only be replaced with original spare parts. Only original spare parts guarantee that the safety requirements are met.

# 1 Important instructions for safety and environment

- This appliance can be used by children from the age of 8 up as well as by persons with reduced physical, sensory or mental abilities or with lacking experience and/or knowledge, if these persons are supervised or have been instructed how to use the appliance in a safe way and have understood the hazards which could arise from using it. Children must not play with the appliance. Cleaning and user maintenance shall not be made by children unless they are older than 8 and supervised.
- This appliance is intended to be used in household and similar applications such as:
  - staff kitchen areas in shops, offices and other working environments,
  - farm houses,
  - by clients in hotels, motels and other residential type environments,
  - bed and breakfast type environments.
- Protect the coffee machine against the effects of weather such as rain, frost and direct sunlight. Do not use the coffee machine outdoors.
- Never immerse the coffee machine itself, the mains cable or the mains plug into water or other liquids.
- Do not clean the coffee machine or accessories in a dish washer.
- Do not pour any other liquids apart from water or place foodstuffs into the water tank.

# 1 Important instructions for safety and environment

- Do not fill the water tank beyond the maximum mark (lower edge of the filling hole) (1.4 litres).
- Only operate the machine when the coffee grounds container, drip tray and the cup grate are fitted.
- Do not pull the cable to remove the plug from the mains socket or touch with wet hands.
- Do not hold the coffee machine with the mains cable.
- Keep the appliance and its cord out of reach of children aged less than 8 years.
- Do not operate the hot water function continuously for more than one tank of water.

## 1.4 Intended use

The fully automatic coffee machine Beko is intended for use in homes and similar applications, for instance in staff kitchens, shops, offices and similar areas or by customers in bed & breakfast, hotels, motels and other living accommodation. This coffee machine is not intended for commercial use. The machine is only intended for preparing coffee and heating milk and water. Any other use other than previously stated is considered as improper use.

### **Danger resulting from improper use!**

If not used for its intended purpose or used in any other way, the coffee machine may be or become a source of danger.



**WARNING:** Therefore, the coffee machine may only be used for its intended purpose.



**WARNING:** Observe the procedures described in this user manual.

No claims of any kind will be accepted for damage or injury resulting from use of the coffee machine for other than its intended purpose.

The risk has to be borne solely by the machine owner.



# 1 Important instructions for safety and environment

## 1.5 Limitation of liability

All technical information, data and instructions on installation, operation and maintenance of the coffee machine contained in these operating instructions represent the current status at the time of printing and are based on the best possible knowledge gained by experience and knowhow.

No claims can be derived from the information, illustrations and descriptions in this user manual.

The manufacturer assumes no liability for damage or injury resulting from failure to observe the user manual, use for other than the intended purpose, unprofessional repairs, unauthorised modifications or use of non-approved spare parts.

## 1.6 Compliance with the WEEE Directive and Disposing of the Waste Product:

This product complies with EU WEEE Directive (2012/19/EU). This product bears a classification symbol for waste electrical and electronic equipment (WEEE).



This product has been manufactured with high quality parts and materials which can be reused and are suitable for recycling. Do not dispose of the waste product with normal domestic and other wastes at the end of its service life. Take it to the collection center for the recycling of electrical and electronic equipment. Please consult your local authorities to learn about these collection centers.

## 1.7 Compliance with RoHS Directive

The product you have purchased complies with EU RoHS Directive (2011/65/EU). It does not contain harmful and prohibited materials specified in the Directive.










## 1.8 Package information



Packaging materials of the product are manufactured from recyclable materials in accordance with our National Environment Regulations. Do not dispose of the packaging materials together with the domestic or other wastes. Take them to the packaging material collection points designated by the local authorities.

## 2 Display

### 2.1 Control Panel

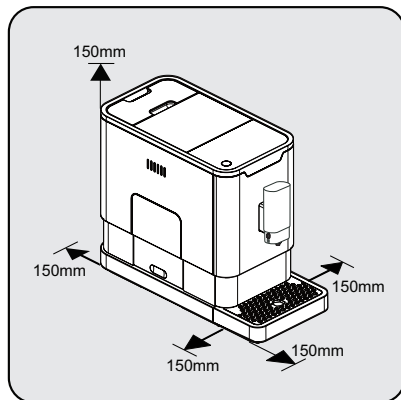
	Flashing: Low water level/ Water tank missing
	Lack of bean
	Lights up stably: coffee grounds container is full Flashing: Internal Drip Tray/coffee grounds container is missing
	Lights up stably: Brewer is missing/ installed improperly Flashing: Service door is opened / installed improperly
	Lights up stably: Requires to do descaling Flashing: Descaling is under process
	Empty System Function is running
	Power ON/OFF Button
	Hot Water Button
	Espresso Button
	Cappuccino
	Latte Macchiato
	Quick Clean

In the box, three packs of cleaning agents are included for the process of self-cleaning.

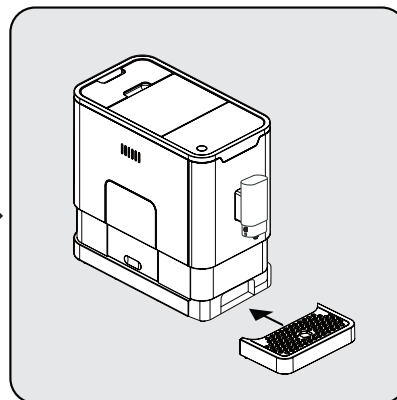
# 3 Preparation

## 3.1 Installation

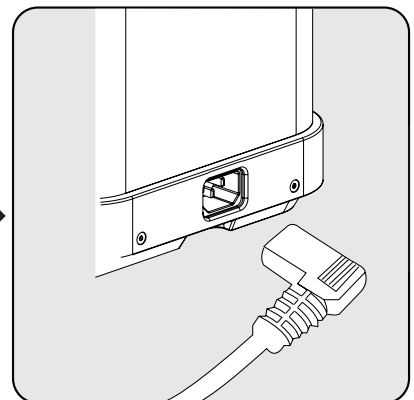
**i** Remove any protective films, stickers and any other packing material on the appliance.



Choose a safe and stable surface with an easily reachable power supply and allow minimum distance from the sides of the machines.




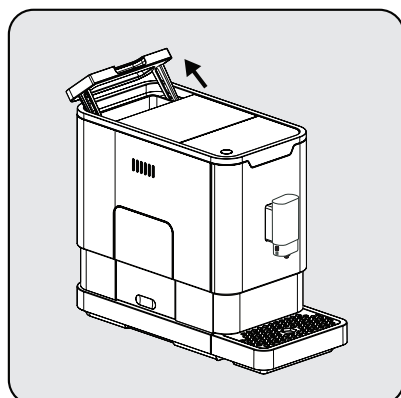
Insert the external drip tray. Make sure it is inserted correctly.



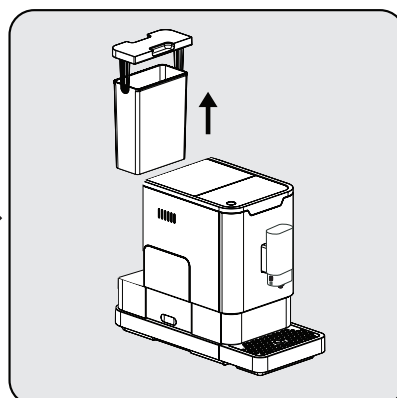
Unwind and straighten the power cord and insert the plug into the socket located on the back of the machine. Insert the other end of the power cord into a wall socket with suitable power voltage.

## 3.3 Filling the water tank

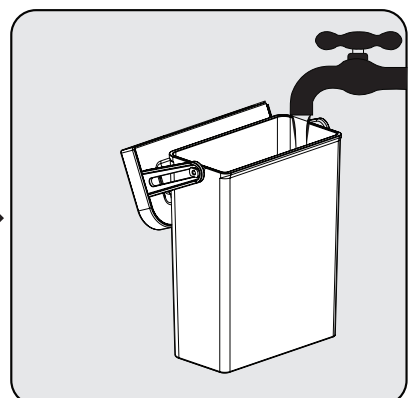
**!** **WARNING:** When  is flashing, the water tank is in low water level and requires filling the water tank.



Lift the water tank by using the lid as the handle.



Take the water tank out.



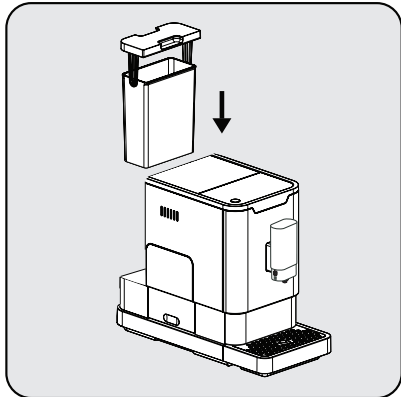
Rinse the water tank with fresh water and then fill the tank to the Max level and place it back into the machine. Make sure it is fully inserted.

**i** To prevent overflow of water from the water tank, do not add water directly into the appliance with another container.

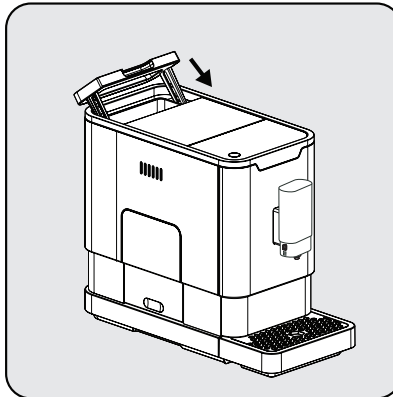
## 3 Preparation



**WARNING:** Never fill the water tank with warm, hot, sparkling water or any other liquid which might damage the water tank and the machine.



Place the water tank back by using the lid as the handle.

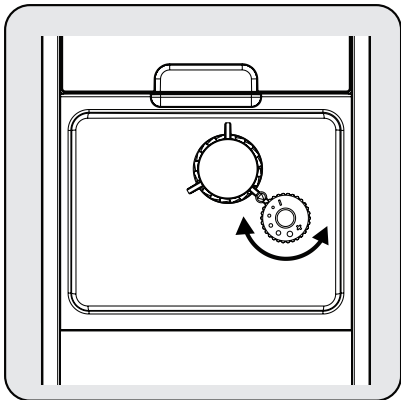


Close the water tank by using the lid.

## 4 Operation

### 4.1 Grinding Adjustment

You can adjust the grinder to suit the roast of your coffee by turning adjuster knob in the bean container:



When the grinder is grinding the coffee bean when it is making the coffee, you can turn the adjust knob to do the adjustment.



**WARNING:** Never do the grinding adjustment when the grinder is not operating. It may damage the grinder.

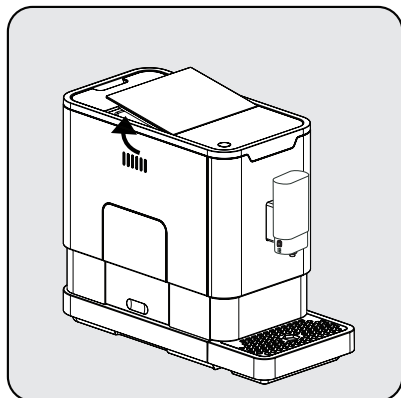


The dots on the adjuster knob indicate the fineness of the grind.

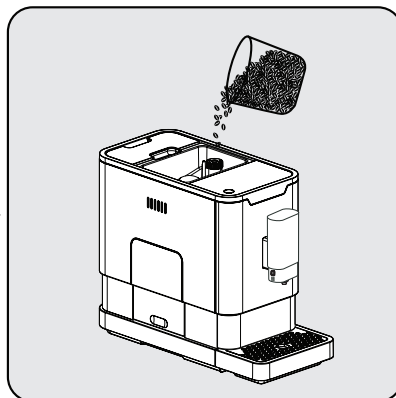
## 4 Operation

### 4.2 Filling the bean container

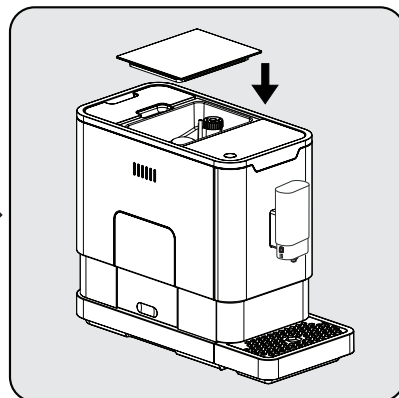
**i** When  is flashing, the appliance needs to be filled with coffee bean.



Remove the bean container lid.



Slowly pour in the coffee beans.



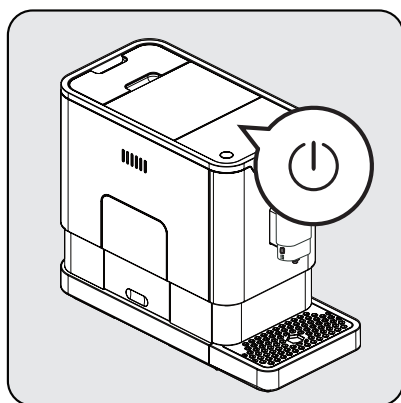
Place the container lid back.



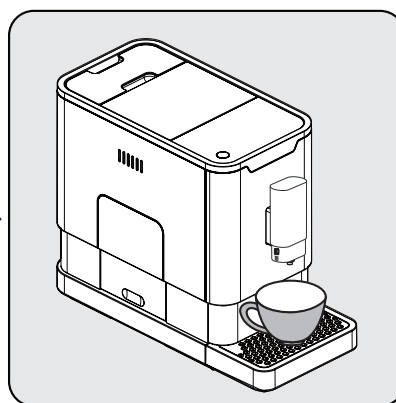
**WARNING:** Fill the coffee bean container only with coffee beans. Grounded coffee, instant coffee, caramelized coffee and any other objects may damage the machine.

**i** Press the hot water button to clean inside of the coffee maker before first use.

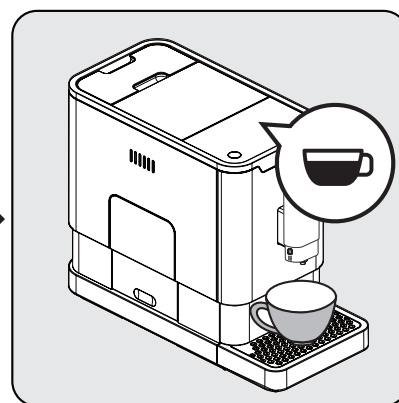
### 4.3 Making Your Coffee



Switch on the appliance by pressing the power on/off button. The appliance is then in the standby condition.



Place a cup under the coffee spout and adjust the height of the spout to fit the cup.



The espresso button being pressed will light on and the illumination will light up, indicating that the appliance is preparing the cup of coffee.

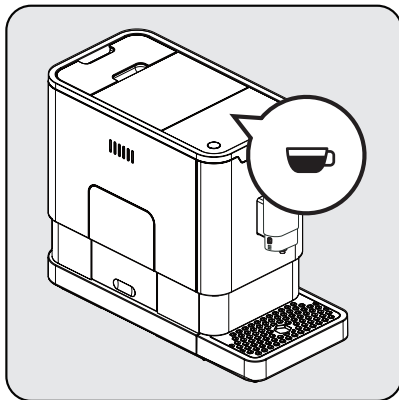
When the appliance is back to standby condition, the coffee is ready to serve.

## 4 Operation

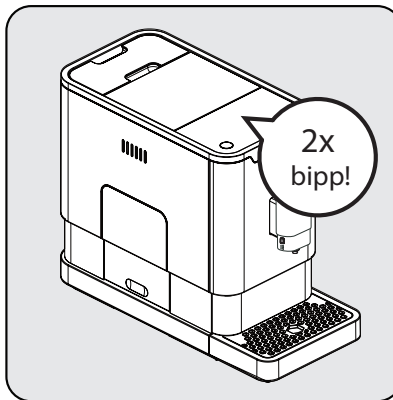
- i** Depending on the taste volume of coffee you would like to have, press strong espresso button or mild espresso button.
- i** Press the hot water button to clean inside of the coffee maker before first use.
- i** The Appliance is equipped with auto-shut off. Depending on the mode you have selected the appliance will have different auto-shut off timing.

### 4.4 Adjusting The Volume Of Your Coffee/Hot Water

You can memorize your desired volume of coffee for espresso and also the hot water from 25ml to 250ml.



When making your coffee or dispensing hot water, press and hold the button you selected. The appliance will continue to make the cup of coffee.



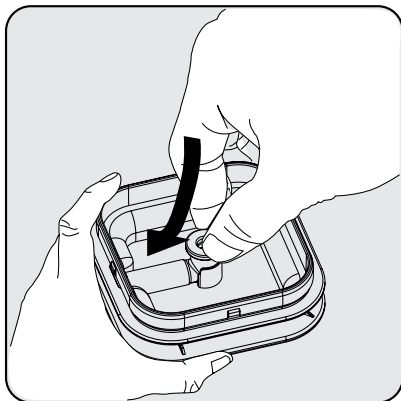
When the volume of coffee meets your desired volume, release the button. Two beep sounds will be heard indicates that the volume of coffee is being memorized.

- i** You can reset the volume of coffee back to the factory setting by selecting the default setting.

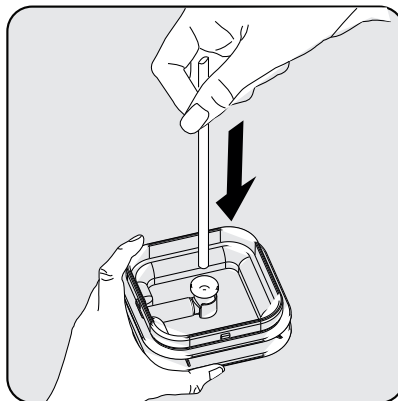
## 4 Operation

### 4.5 Preparing Latte Macchiato

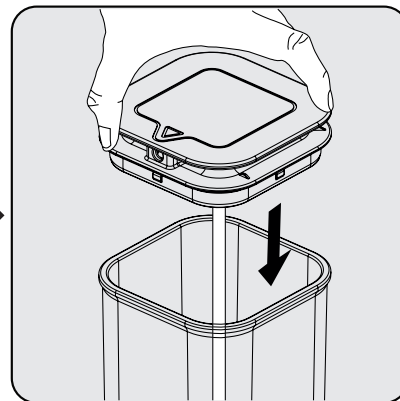
Assembling the automatic milk froth system



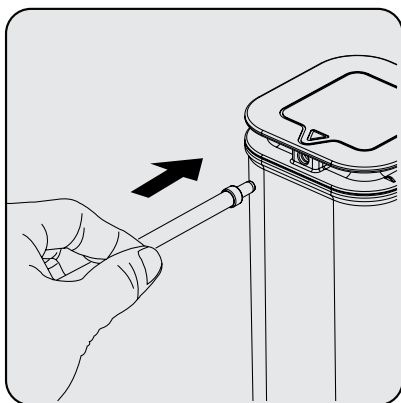
Place the connection rubber into the slot inside the lid.



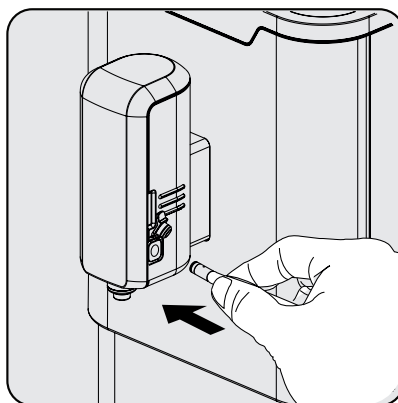
Insert the connection milk tube to the rubber outside the lid.



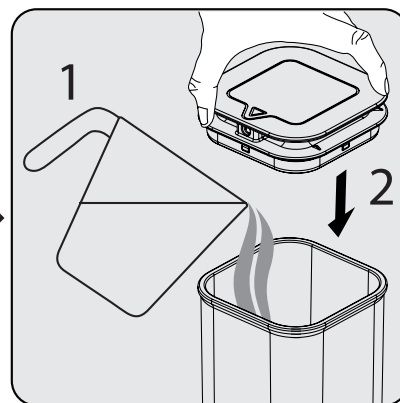
Close the lid.



Insert the connection milk tube to the rubber outside the lid. (Open the inlet cover.)



Insert the milk tube connector to the dispensing spout milk frother inlet.

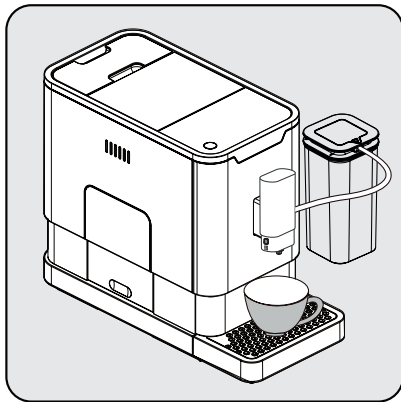


Fill the milk container with milk and close the lid.

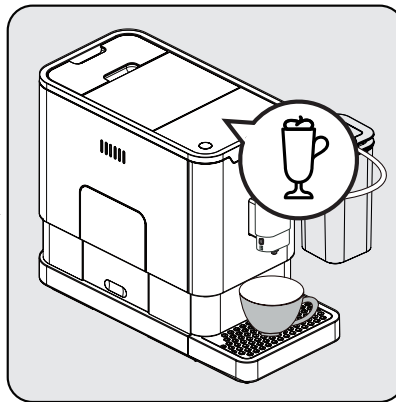


You can pull the coffee dispensing spout cover out, then take down the milk frother and switch the milk frother to your desired direction for connecting the milk container (See chapter "Daily Cleaning of the appliance", section cleaning the automatic milk froth system for how to take down the milk frother), there is a protective cover for the milk tube connector inlet, just take it off when you need to insert the milk tube connector.

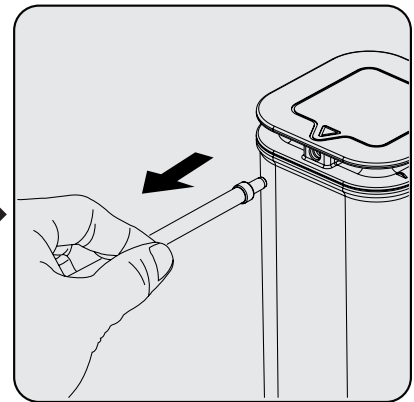
## 4 Operation



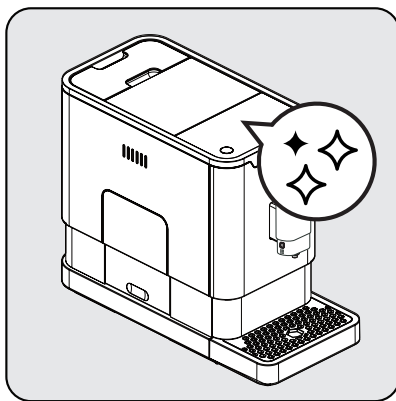
Place a cup under the spout



Switch on and press Latte Macchiato button, only button lights indicating Latte preparation. The indicator keeps on during preparation process. The machine dispenses milk first and then coffee. Preparation will stop automatically. If you want to stop, press the button again during the operation.



Remove milk container from machine and put it in the fridge.



After use, press button once to perform quick cleaning the system. See chapter "Daily Cleaning of the appliance", section cleaning the automatic milk froth system.



Cleaning the automatic milk froth system before first use. Use cold milk (at a temperature of approximately 5°C/41°F) with a protein content of at least 3% to ensure an optimal frothing result

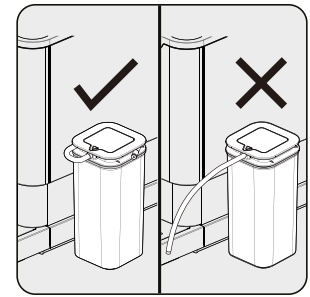


## 4 Operation



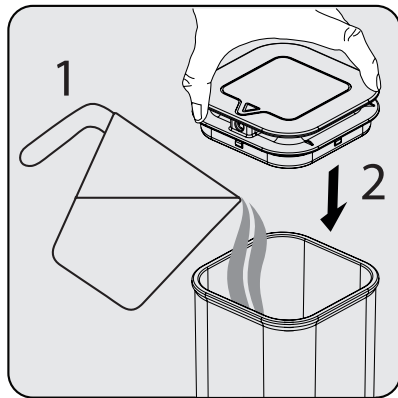
### WARNING

- Steam and hot milk may spray out of the spout when starting the brewing.
- Place the connection milk tube around the milk container lid after use. Do not let it fall freely to prevent milk spray out caused by pressure difference.

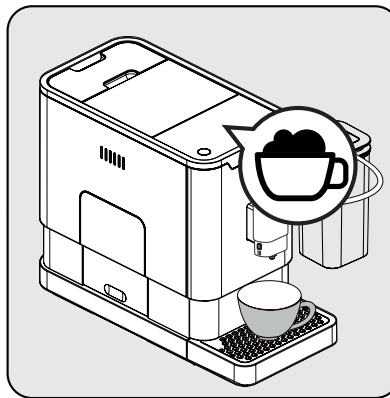


### 4.6 Preparing Cappuccino

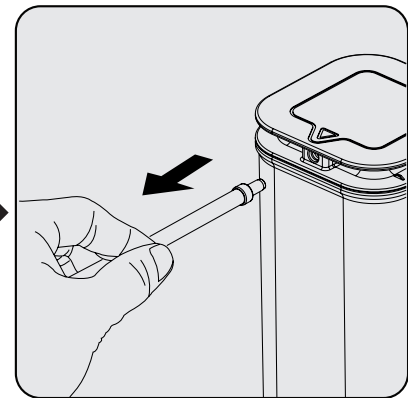
Assembling the automatic milk froth system as described in preparing latte macchiato section.



Fill the milk container with milk and close the lid.



Place a cup under the spout. Switch on and press Cappuccino button, only button lights indicating coffee preparation. The indicator keeps on during preparation process.



The machine dispenses coffee first and then milk. Preparation will stop automatically. If you want to stop, press the button again during the operation. Remove milk container from machine and put it in the fridge.



After use, press button once to perform quick cleaning the system. See chapter "Daily Cleaning of the appliance", section cleaning the automatic milk froth system).

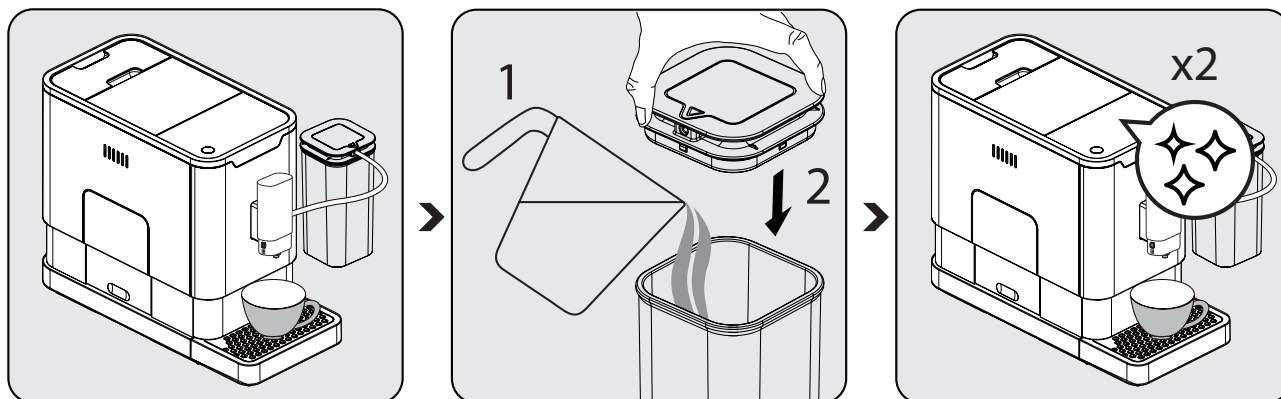


Cleaning the automatic milk froth system before first use. Use cold milk (at a temperature of approximately 5°C/41°F) with a protein content of at least 3% to ensure an optimal frothing result

## 4 Operation

### 4.7 Frothing milk

Assembling the automatic milk froth system as describe in preparing latte macchiato section



Place a cup under the spout.

Fill the milk container with milk and close the lid.

Connect the milk froth system to the machine. Touch the button twice. The button light goes on during the preparation. Press the button once to stop frothing.



After use, press button once to perform quick cleaning the system. See chapter "Daily Cleaning of the appliance", section cleaning the automatic milk froth system).



Cleaning the automatic milk froth system before first use.  
Use cold milk (at a temperature of approximately 5°C/41°F) with a protein content of at least 3% to ensure an optimal frothing result

### 4.8 Hot Water

The appliance can dispense hot water by simply pressing the hot water button. The hot water button and the illumination will lights up indicates that the appliance is heating up the water. When the hot water button and the illumination turn off, the water is ready to serve.

### 4.9 Mode Selection



The machine has two different setting: default setting, ECO mode and speed mode. In ECO mode, the appliance helps to save more energy. In speed mode, the user can make their coffee faster than in default setting.




	ECO Mode	Speed Mode	Default Setting
Illumination Light	No	Yes	Yes
Pre-brewing*	Yes	No	Yes
Auto shut off time	10mins	30mins	20mins
Cup Volume memory	Yes	Yes	Yes




The pre-brewing function moistens the grounded beans in the brewer with a small amount of water before full extraction. This expands the coffee grounds to build up a greater pressure in the brewer which help extraction of all the oils and full flavor from the grounded beans.

## 4 Operation

1. When the machine is in standby condition, press and holds the  for 5 seconds.
2. The  will then be flashing and the following button will have the following indications for different settings:

	Cappuccino button 	Latte button 	Espresso button 
In ECO Mode	Lights ON	Flashing	Flashing
In Speed Mode	Yes	No	Flashing
In Default Setting	Flashing	Flashing	Lights On

3. Press the hot water button for ECO mode, strong espresso button for speed mode and mild espresso button for default setting. Two Beep sound will be heard indicates that the mode is being selected. (Note: If you are pressing the relative lights on button for each mode, the machine will not response).
4. If you would like to remain the setting unchanged, press  again or wait for 5 seconds for the machine to return to the standby condition

# 5 Cleaning

## 5.1 Cleaning of the appliance

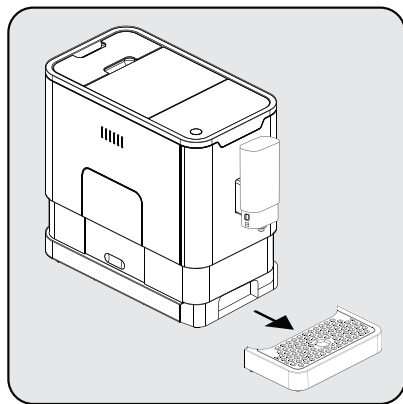
### 5.1.1 Cleaning the drip tray and coffee grounds container

1. Disconnect the power cord from the mains supply outlet.
2. Pour away all the water in the internal and external drip tray
3. Use a damp cloth or non-scratching cleaner to clean the water stains on the appliance.

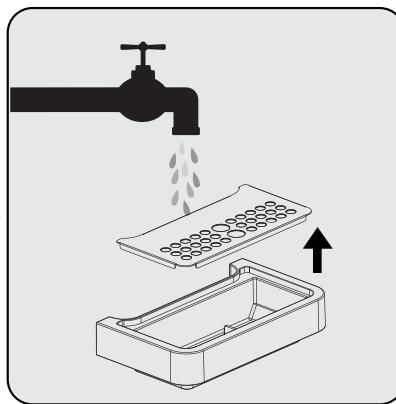


**WARNING:** Never use any abrasive, vinegar or descaling agents not included in the box to clean the appliance.

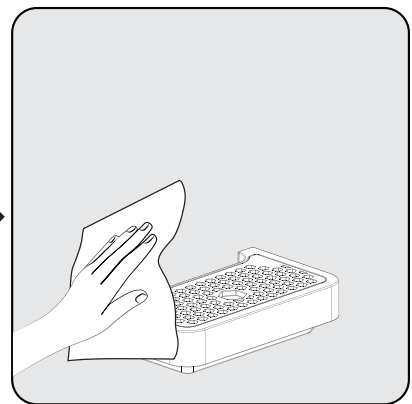
Timely cleaning and maintenance of the appliance is very important in prolonging the life of the appliance.



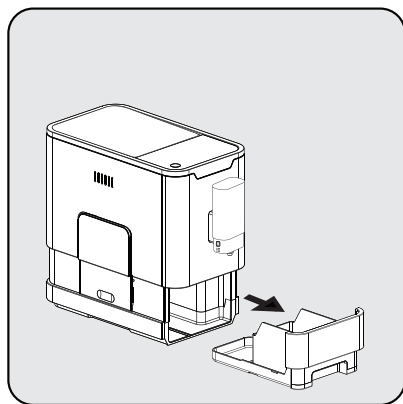
Pull the external drip tray out of the machine.



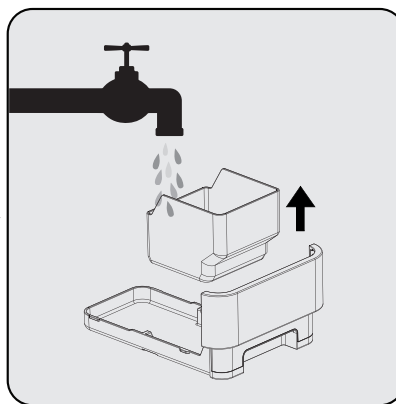
Empty the water inside the drip tray in the sink and wash it with fresh water.



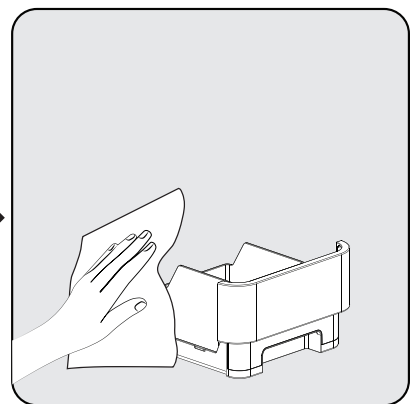
Dry it afterwards.



Slides open the internal drip tray and the coffee grounds container.

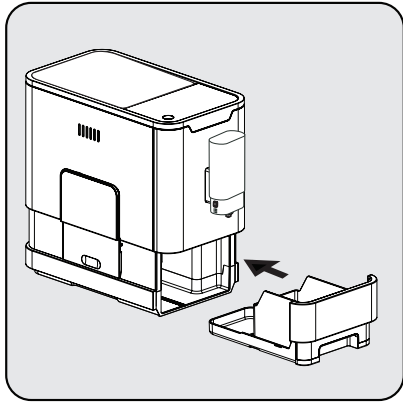


Empty the coffee grounds container and rinse it with fresh water.

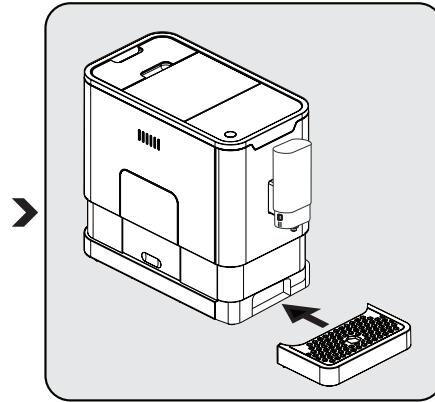


Dry it afterwards.




## 5 Cleaning



Place the coffee grounds container back in the drip tray.



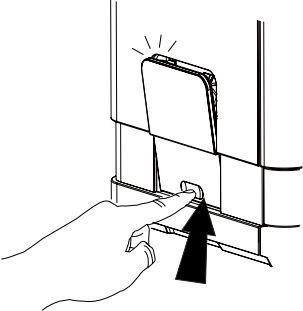
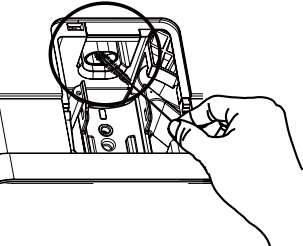
Place the external drip tray at its original position.

- i** Assemble the metal tube back to the nozzle cover. Then push upward to place the nozzle cover back. And turn it to right to lock it.
- i** When  lights up, the coffee grounds container needs to be empty.
- i** When  lights up stably, it indicates that the brewer is missing / installed improperly. When  is flashing, it indicates that the service door is missing/installed improperly.

## 5 Cleaning

### 5.1.1 Cleaning coffee powder outlet


Coffee powder may stick on the wall of powder outlet for appliance after used a long period of time. It is suggested to clean the outlet by following step to ensure that coffee powder can come to brewer.

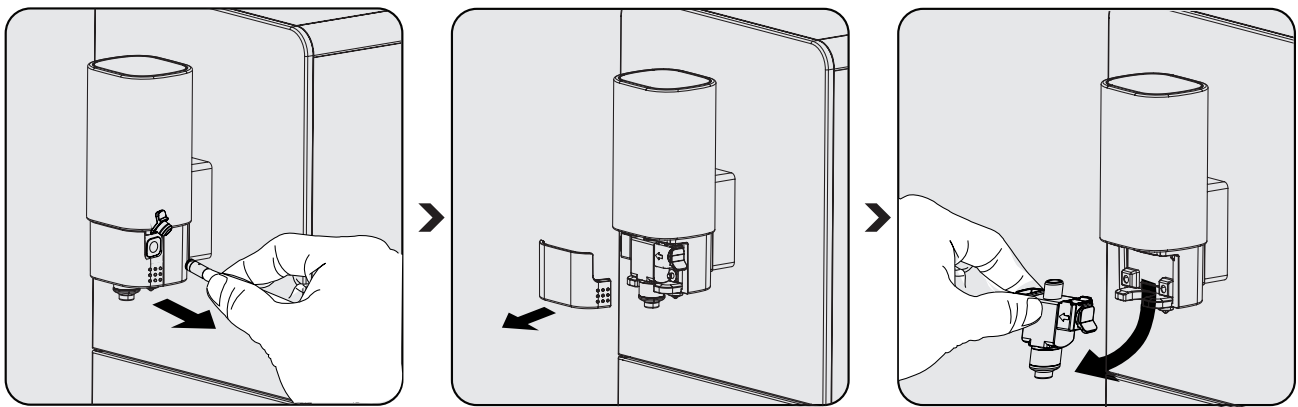
1. Push the service door recess area	 A line drawing showing a hand pushing the service door recess area of a coffee machine. A black arrow points to the recess area.
2. Take out the service door	 A line drawing showing a hand pulling the service door out of the coffee machine. A black arrow points to the door.
3. Press the release knob of brewer	 A line drawing showing a hand pressing the release knob of the brewer. Two black arrows point to the release knob.
4. Take the brewer out	 A line drawing showing a hand pulling the brewer out of the coffee machine. A black arrow points to the brewer.
5. Use Cleanness Brush to clean the powder outlet	 A line drawing showing a hand using a Cleanness Brush to clean the powder outlet of the coffee machine.

## 5 Cleaning

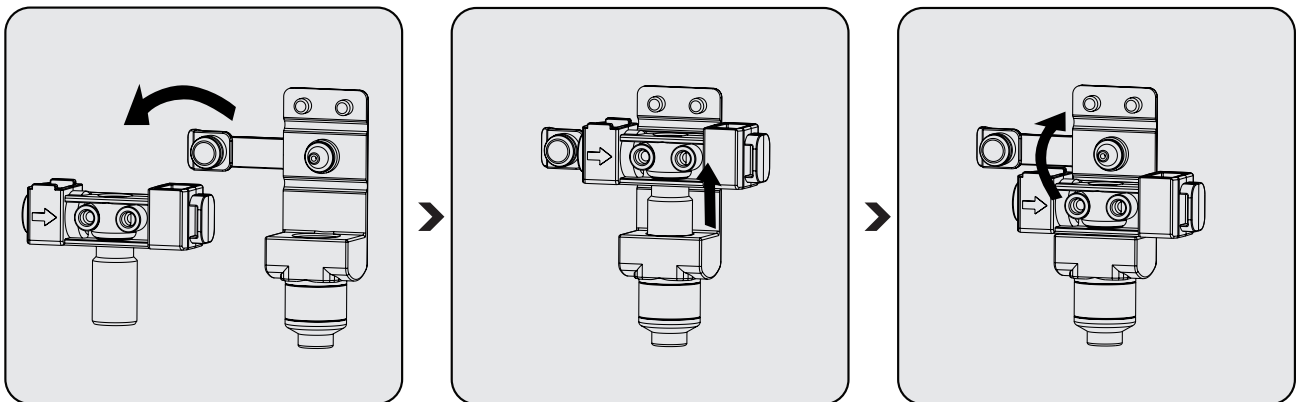
### 5.1.3 Cleaning the automatic milk froth system

**i** It is important to do this step daily to make sure the function of automatic milk frother running in good condition.

1. Place a cup under the spout.
2. Fill the milk container with fresh water.
3. Connect the milk container to the coffee machine as describe in "Preparing Latte Macchiato" section
4. Press  clean button twice.
5. The machine dispenses hot water and steam to wash the dispensing tube and milk spout.
6. Touch the button again to stop the water.
7. Take apart the milk frother by following procedure. Clean them with fresh water. Then insert the milk frother into slot. (see below step)

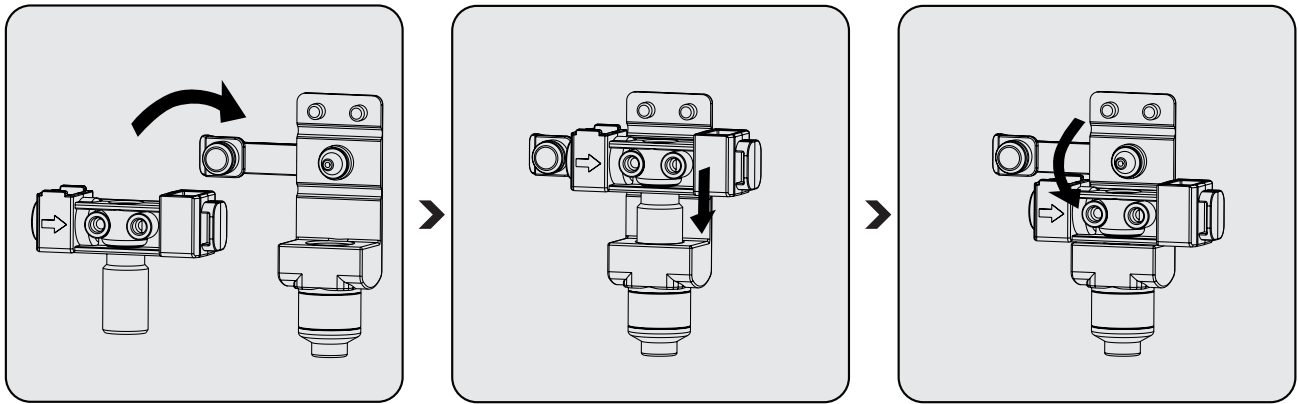


Take out the spout cover and then take out the milk frother.

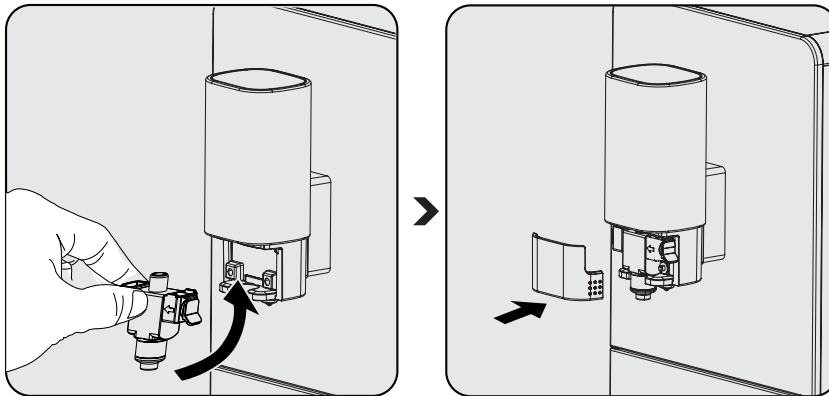


Take apart the milk frother into two parts and clean with fresh water

## 5 Cleaning





Assemble the milk frother back to original

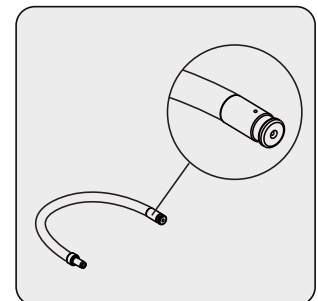


Insert the milk frother to the slot of machine.

### 5.1.4 Cleaning the milk container and connection milk tube

**i** It is important to do this step daily to make sure the function of automatic milk frother running in good condition.

1. Empty the milk inside the milk container and wash it with fresh water, take out the connection rubber and container milk tube to wash it with fresh water too, then assemble them to the lid again (make sure the connection is fit and correct).
2. Clean the both end of milk connection milk tube with fresh water, to make sure the hole on the milk tube connector is clean (see picture), you can use needle or bristle of brush to clean the hole.
3. Fill the milk container with fresh water and connect to the machine with container milk tube.
4. Using Frothing milk function by pressing twice of  clean button, the water in milk container can clean the connection tube internal. You can stop the cleaning by press the  clean button again.





## 5 Cleaning

### 5.3 Self-Cleaning








**WARNING:** Please wait for finishing the self cleaning process and then switch off the machine.

When  is flashing, it indicates that the appliance needs to undergo self-cleaning. The appliance will remain in the best condition if this function is performed at least once a month or more regularly depending on the hardness of water used. It is also suggested that to

1. Fully fill the water tank.
2. Adding one pack of cleaning agent included in the box to the water tank.


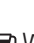



**WARNING:** Do not use vinegar or other cleaning agent to do self-cleaning of this appliance. The cleaning agent might damage the appliance.

3. Plug in the appliance.
4. Place a sufficient large container under the coffee spout.
5. In standby condition, press and hold  and strong espresso button  for 5 seconds. A beep sound will be heard with  and strong espresso button  will be flashing.
6. Press strong espresso button to confirm undergoing the self-cleaning process. To resume back to the standby condition, press .
7. Will be flashing indicates that the appliance is undergoing the self-cleaning process.

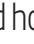



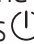


**WARNING:** Keep skin/body away from the hot water.

8. When all the water in the water tank is being dispensed out,  and strong espresso button  will be flashing. Remove all the remaining solution in the water tank and fill the tank with normal tap water until the max position. When water is filled into the water tank,  will go off. Then the appliance will continue the self-cleaning process.
9. When the self-cleaning process is completed, the appliance will switch off automatically.

### 5.4 Empty System Function

The empty system function is recommended to be used before long period of non-use, frost protection and before talking to repair agent.

1. In standby condition, press and hold the  and latte button  together for 5 seconds.
2.  will then be flashing.
3. Remove the water tank from the appliance.  will light up stably indicates that the empty system is under process. You can press  before removing the water tank to resume back to the standby condition.

## 5 Cleaning



4. When the empty system function is completed, the appliance will switch off automatically.



**WARNING:** After perform EMPTY SYSEM FUNCTION; press the hot water button until water can come out from spout when the coffee maker is reused again.

### 5.5 Manual Rinsing

You can perform a manual rinsing cycle to clean the coffee nozzle after use. It is also suggested to perform a manual rinsing if the appliance has not been used for a long period of time.

1. In standby condition, press and hold the  and hot water button  together.
2. All button will then goes off. The coffee nozzle will then dispense a small amount of water which is used for the rinsing.



**WARNING:** Water comes out of the coffee nozzle is hot and is collected in the drip tray underneath. Avoid contact with splashes of water.

3. After rinsing, the appliance will return to the standby condition.

### 5.6 Further Setting

#### 5.6.1 Adjusting The Quantity Of Your Coffee/ Hot Water

The machine can memorize your desired volume of coffee and hot water.

Preparing quantity for Latte Macchiato /Cappuccino/Coffee

1. Place a cup under the spout
2. Switch on the machine, all buttons lights on.
3. Press Latte/Cappuccino / Coffee button, only your desired one illuminates.
4. If machine dispenses milk, press and hold the button to continue and release the button when milk froth reaches your desired volume. Milk froth stops with two beep sounds and the volume is now stored.
5. If machine dispenses coffee, touch and hold the button to continue and release the button when coffee reaches your desired volume. Coffee stops with two beep sounds and the volume is now stored.

#### Preparing quantity for Hot Water

1. Place a cup under the spout
  2. Switch on the machine, all buttons lights on.
  3. Press Hot Water button, the button illuminates only.
  4. The machine dispenses hot water. Touch and hold the button for 5 seconds to enter programming mode; release the button when it reaches your desired volume. Dispensing stops now and the volume is now stored
- The Latte/Cappuccino/Coffee/Hot water button is programmed: every time it's pressed, the machine will brew the same amount set.

# 6 Troubleshooting

Problem	Cause	Solution
The appliance does not work.	The appliance is not connected to the mains.	- Plug in and press the switch. - Check the cable and the Plug
No or delayed response in several trials of pressing on function key on the panel	- Appliance is under an electromagnetic interference - Dirt over the panel	Unplug the appliance. Restart after few minutes Clean the panel with the cloth provided
The coffee is not hot enough.	- The cups have not been preheated. - The brewing unit is too cold.	Rinse the appliance at least 3 times before making the coffee.
The coffee cannot come out from spout.	Empty system function maybe used before.	Press the hot water button until water can come out from spout.
The first cup of coffee is poor quality.	The first run of grinder does not pour sufficient quantity coffee power into the brewing unit.	Throw the coffee away. The other coffees will always be of good quality.
Coffee has no cream.	- Coffee bean is not fresh.	Change or using appropriate brand of coffee bean.
The touch buttons are not sensitive	Not pressing the touch button from the front direction of the appliance	Press the lower bottom part of the icon of the touch button from the front direction of the appliance.
The appliance takes too long time to warm up.	Excessive scale has built up.	Descale the appliance.
The water tank is removed / the water level is very low in the water tank but have no alert.	The area near the water tank connector is wet.	Wipe the water around the water tank connector
Internal drip tray is filled with a lot of water.	Coffee powder too fine which block the water to come out.	Adjust the coffee fineness to bigger dot during grinder operation.
Coffee is delivered too slowly or a drop at a time.	Coffee powder too fine which block the water to come out.	Adjust the coffee fineness to bigger dot during grinder operation.
Lack of bean indicator flashes but there is still a lot of coffee bean inside the container.	Internal coffee powder outlet is blocked.	To follow the steps of section E (V. Cleaning coffee powder outlet).
No milk foam out from the machine	The automatic milk frother is dirty or not assembled or installed correctly	Clean the automatic milk frother and make sure it is correctly assembled or installed.

## 6 Troubleshooting

Problem	Cause	Solution
No milk foam out from the machine	The hole of Milk tube connector is blocked by milk residues	Refer to section "Daily Cleaning of the appliance" ,follow "cleaning the milk container and connection milk tube", Clean the connector and make sure all the hole on the connector is clean, use needle or bristle of brush to clean the hole.
The hole of Milk tube connector is blocked by milk residues which hardly to be cleaned	The milk tube connector not be cleaned for a long time	Soaking the connection milk tube into warm water for an hour, follow the "cleaning the milk container and connection milk tube" in section "Daily Cleaning of the appliance", keep using frothing milk function to clean until water come from dispenser smoothly. Use needle or bristle of brush to clean the hole
	The type of milk used is not suitable for frothing	Different types of milk result in different amounts of froth and different forth qualities. Semi-skimmed or full-fat cow's milk gives good results.
	The temperature of the milk is too high	No milk foam out from the machine
Milk spray out the table	Milk dispensing tube is not put in place	Milk foam spray out from dispenser
Descaling indicator keep flashing even after the descaling process	Decaling process is not completed	Please be patient and wait for the process finish. The machine will auto shut off automatically , don't switch off the machine manually