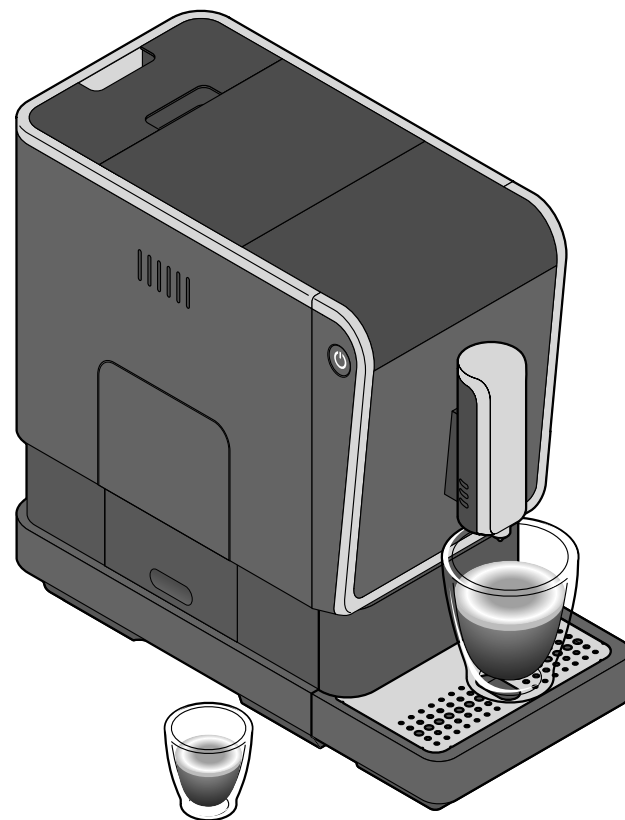




The Tchibo Bean to Brew Machine

Keep for future use!



en Operating instructions and warranty

Tchibo GmbH D-22290 Hamburg · 109547HB_GFT · 2022-08

Contents

3	About these instructions	17	Adjusting the amount of the beverage
3	Intended use	18	Adjusting the grinding degree
3	Location	19	Expansion for the coffee bean compartment
4	IMPORTANT SAFETY INSTRUCTIONS	20	Adjusting the automatic rinsing cycle
8	At a glance (delivery contents)	21	Standby mode
10	Removing protective films and packaging materials	21	Cleaning
11	Initial operation - prior to first use	23	Cleaning the brewing unit
13	Switching on the machine	25	Descaling
13	Adjusting the height of the coffee spout	27	For a long period of non-use
14	Rinsing the machine	28	Problems / solutions
15	Make a coffee	28	User instructions
15	Make a coffee	29	Technical specifications
16	Empty coffee grounds container, leftover water tray and drip bowl	29	Disposal
17	Preheating the cup		
17	Adjusting the strength of the coffee - boost button		

About these instructions

This product is equipped with safety features. Nevertheless, read the safety warnings carefully and only use the product as described in these instructions to avoid accidental injury or damage.

Keep this manual for future reference.

If you pass this product on to another person, remember to give them these instructions.

Symbols in these instructions:



This symbol warns you of the danger of injury.



This symbol warns you of the danger of injury caused by electricity.

The signal word **DANGER** warns of severe injury and danger to life.

The signal word **WARNING** warns of potential severe injury and danger to life.

The signal word **CAUTION** warns of minor injury.

The signal word **NOTICE** warns of possible damage to the device.



This indicates additional information.

Intended use

The coffee machine has been devised for the following uses:

- Preparing espresso and other coffee beverages from whole (unground), roasted coffee beans.
- For household only.

The machine has not been devised for processing beans that are caramelized or sugar-coated, raw coffee (green, unroasted beans), beans mixed with raw coffee, or loose coffee grounds.

Location

Set up the machine in a dry, indoor room. Choose a location that is adequately ventilated and protects the machine from overheating. Avoid rooms with high humidity or high dust content.

IMPORTANT SAFETY INSTRUCTIONS

IMPORTANT SAFEGUARDS

1. Read all instructions.
2. Do not touch hot surfaces. Use handles or knobs.
3. To protect against fire, electric shock and injury to persons do not immerse cord or plugs in water or other liquid.
4. Close supervision is necessary when any appliance is used by or near children.
5. Unplug from outlet when not in use and before cleaning. Allow to cool before putting on or taking off parts, and before cleaning the appliance.
6. Do not operate any appliance with a damaged cord or plug or after the appliance malfunctions, or has been damaged in any manner. Return appliance to the nearest authorized service facility for examination, repair or adjustment.
7. The use of accessory attachments not recommended by the appliance manufacturer may result in fire, electric shock or injury to persons.
8. Do not use outdoors.
9. Do not let cord hang over edge of table or counter, or touch hot surfaces.
10. Do not place on or near a hot gas or electric burner, or in a heated oven.
11. Always attach plug to appliance first, then plug cord into the wall outlet. To disconnect, turn any control to "off," then remove plug from wall outlet.
12. Do not use appliance for other than intended use.

SAVE THESE INSTRUCTIONS.



Danger to life from electric shock

- Do not use the machine if the machine, connecting cord or mains plug is damaged or if the machine has been dropped.
- Only connect the machine to a properly installed, grounded wall socket. The mains voltage must comply with the requirements stated in the machine's technical specifications.
- Remove the mains plug from the wall socket if a fault occurs.

- Always pull on the mains plug, not the cord.
- To disconnect the machine fully from the mains, unplug the mains plug from the wall socket.
- Never touch the mains plug with wet hands.

WARNING

Risk of injury to children

- Children must not be allowed to play with the appliance. Keep children under 8 years and animals away from the appliance and the power cord.
- This device can be used by children from the age of 8 years, provided they are supervised or have been instructed in the safe use of the device and understand the resulting dangers.
- Do not allow children to clean the appliance unless they are over 8 years old and supervised. The device is maintenance-free.
- Keep packaging materials away from children. There is a risk of suffocation!
- The magnets attached to the drip tray and the cover of the brewing unit may come loose and be swallowed or inhaled by children. Magnets connecting inside the body can lead

to serious injuries. In the case that magnets are swallowed or inhaled, seek medical advice immediately.

Risk of injury to people restricted in their capability of operating electrical appliances

- This machine can be used by persons with reduced physical, sensory or mental capabilities, or who lack experience or knowledge, provided they are supervised or have been trained in the safe use of the machine and understand the resulting dangers.

Risk of burns/scalds by hot liquids

- Do not touch the coffee spout during or immediately after use. Avoid contact with coffee or hot water being dispensed from the spout.

CAUTION

Health risks from germs and aggressive substances

- Empty the leftover water tray, the container for the coffee grounds and the drip bowl every day: Observe the specified cleaning intervals.
- If you will not be using the machine for a prolonged period, empty and clean the water tank, coffee bean compartment, drip bowl and container for the coffee grounds.

- Change the water in the water tank daily to prevent germs from collecting.
- Use only the cleaning and descaling agents listed in this manual as well as the relevant cleaning utensils to clean this machine. The use of other cleaning agents can lead to health hazards.

Risk of burns from hot surfaces

- The brewing unit becomes hot when preparing a drink. Do not remove the brewing unit during or shortly after use.
- After use, the surfaces of the heating element still have residual heat.
- To move the machine, always hold it by the outer casing. Lift the machine to move it. Do not lift the machine by the drip bowl with drip grid, as it is only lightly attached by magnets.

NOTICE

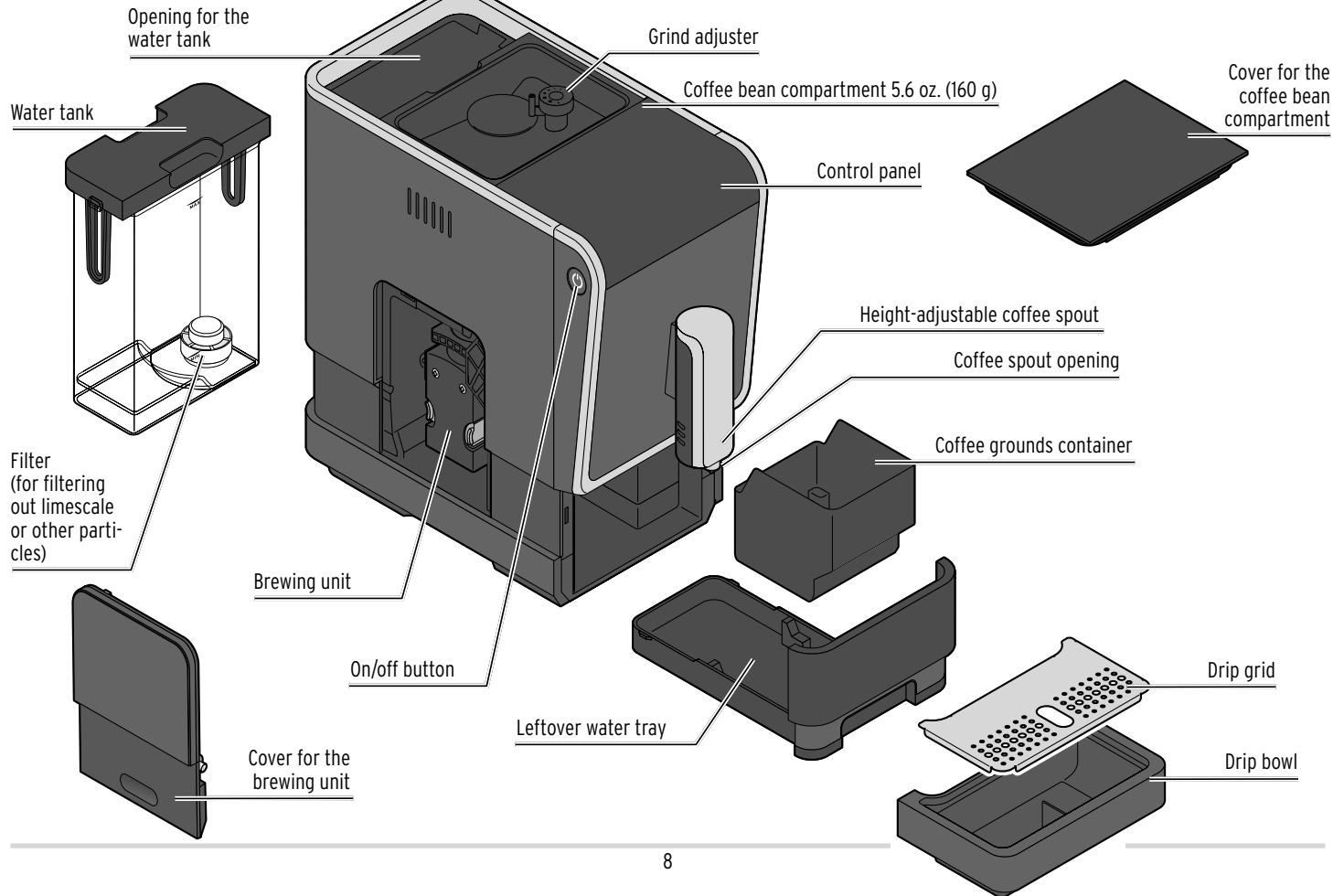
Possible machine damage

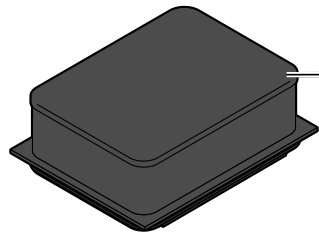
- Do not clean the machine with a water jet. Do not place it in a position where it could be cleaned with a water jet.
- Do not put the machine or any part of it in the dishwasher.
- Only use the machine with the container for the coffee grounds and the leftover water tray inserted.

- Always pour fresh, cold tap or other drinking water into the water tank. Do not use carbonated mineral water or any other liquids.
- Never fill the coffee bean compartment with beans that are caramelized or sugar-coated, raw coffee (green, unroasted beans), beans mixed with raw coffee, or loose coffee powder. Doing so could damage the machine.
- Grinder settings may only be adjusted while the grinder is operating.
- Descale the machine as soon as the machine indicates that this is necessary.
- Place the machine on a solid, straight, level surface that is well illuminated and resistant to water and heat.
- Do not place the machine on a hob or immediately next to a hot oven, radiator or anything similar, to ensure that the casing does not melt.
- Ensure sufficient ventilation around the coffee system. Do not cover it with dishtowels or similar objects during use.
- A short detachable power-supply cord is provided to reduce risks resulting from becoming entangled in or tripping over a longer cord. Do not use a longer detachable power-supply cord or extension cord.

- Route the connecting cord in such a way that it cannot be tripped over. Do not let the connecting cord hang down from the surface the machine is put on, so that the machine cannot be pulled down by it.
- Keep all cards with magnetic strips, such as credit cards, debit cards, etc. away from the drip bowl and the cover for the brewing unit and all the magnets built into these parts. The cards could become damaged. Also keep magnetic memory storage media and all devices that are affected by magnetism or may sustain functional impairment away from the machine.
- The machine is equipped with non-slip feet. Work surfaces often have varnished or plastic finishes and are treated with a variety of care products. Some of these may contain substances that react adversely to the non-slip feet and soften them. If necessary, place a non-slip mat under the machine.

At a glance (delivery contents)

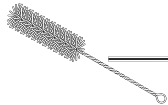




Expansion for the coffee bean compartment



Connecting cord



Cleaning brush

Control buttons (white)



The control buttons are only visible when the machine is switched on.



Make an espresso



Make a regular coffee



Make a large coffee



Boost button



Rinsing/heat cup

Warning lights (orange)



The warning lights only light up when the machine requires maintenance.



Refill water



Refill beans



Empty coffee grounds



Brewing unit



Descalc

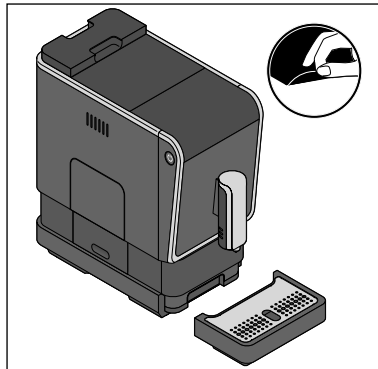


Empty system

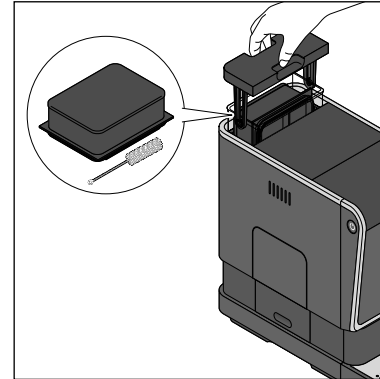
Packaging material

The packaging material protects the unit during shipping.
The original packaging can be kept for future transport of the unit.
Keep the packaging in the event you ever need to return the unit.

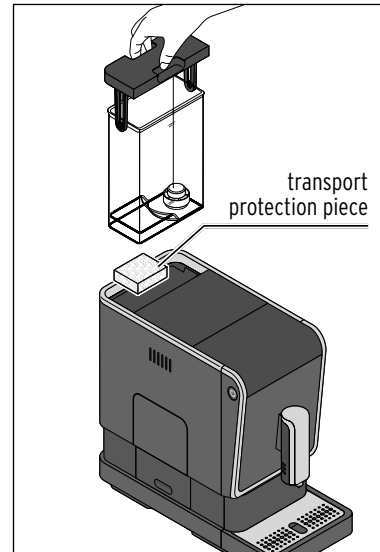
Removing protective films and packaging materials



1. Take the machine out of the packaging.
2. Pull all protective films off of the machine and remove all packaging materials.



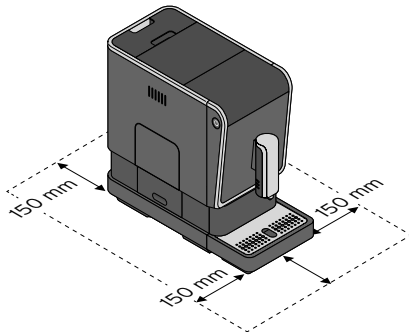
3. Pull the water tank up and out. In the water tank you will find the expansion piece for the coffee bean compartment and the cleaning brush. Take these out of the tank.



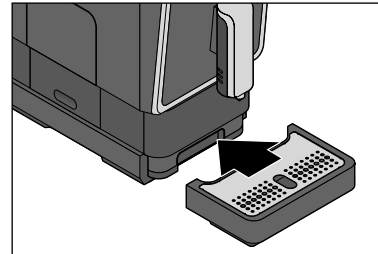
4. Remove the transport protection piece underneath the water tank.
5. Clean the water tank with a little washing-up liquid. Then rinse it out thoroughly under running water and dry it.
6. Reinsert the water tank in the machine and push it down as far as it will go.

Initial operation – prior to first use

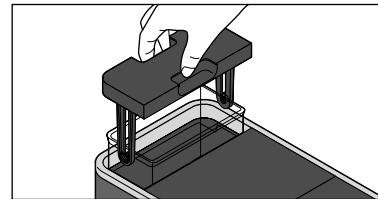
1. Place the machine ...
 - ... on a level worktop or surface that is not sensitive to moisture.
 - ... close to a wall socket. The length of the connecting cord is approx. 31.5 in. (80 cm).
 - ... at a distance of at least 39.4 in. (1 m) to hot, flammable surfaces (hobs, ovens, heaters, etc.).
 - ... at least 5.9 in. (150 mm) away from walls.



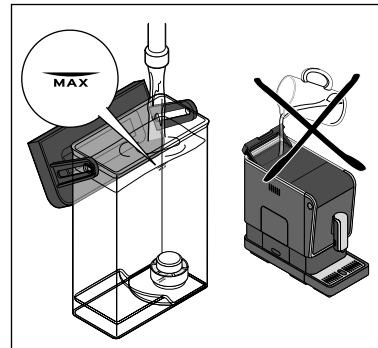
The figure shows the drip bowl with drip grid to illustrate the real space requirement. Observe this for the machine installation location. The machine must not be carried by the drip bowl.



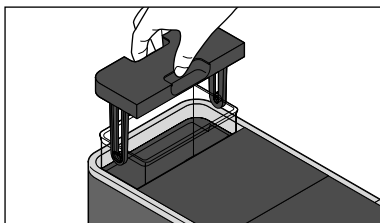
2. Push the drip bowl and drip grid all the way into the machine as illustrated. The drip bowl is held in place by magnets.



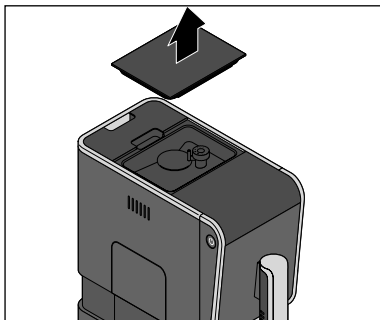
3. Pull the water tank up and out of the machine.



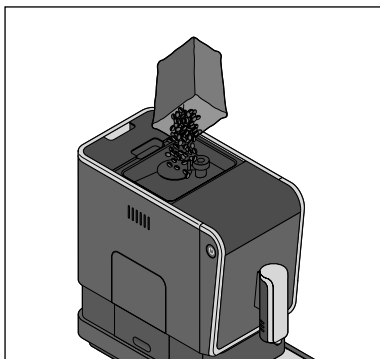
4. Fill the water tank with fresh, cold tap water or drinking water up to the MAX mark.
NOTICE: Never fill water directly into the tank while the water tank is still in the machine! Otherwise, the machine could be damaged.



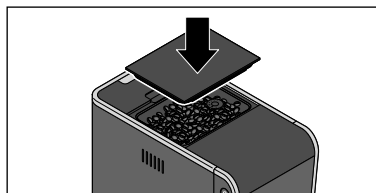
5. Reinsert the water tank in the machine and push it down as far as it will go.



6. Remove the lid from the coffee bean compartment.

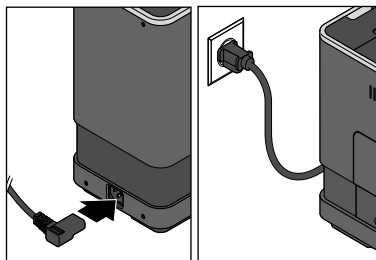


7. Fill as many coffee beans into the coffee bean compartment as you will need for one day.
Approx. 5.6 oz. (160 g) fits into the coffee bean compartment. The coffee bean compartment can also be extended to hold a capacity of approx. 10.6 oz. (300 g) (see the "Expansion for the coffee bean compartment" chapter).



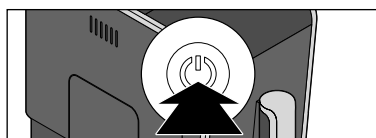
8. Place the lid back on the coffee bean compartment.

Press the lid all the way on so that the aroma protection seal can optimally protect the aroma of the coffee beans.



9. Plug the connecting plug into the back of the machine.

10. Insert the mains plug into an easily accessible wall socket.



11. Press the on/off switch to switch on the machine.



The rinsing/hot water button flashes and the heating up process starts.

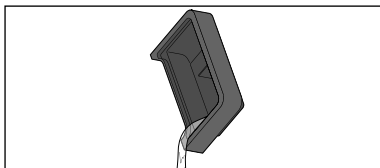
The pump starts after a few seconds. A small amount of water is flushed through the system and dispensed into the drip bowl.



CAUTION - Risk of burns from hot liquids

Hot water or coffee from the coffee spout may cause burns.

• Do not touch the coffee spout during and shortly after use of the machine.



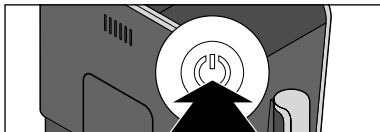
12. Pour out the water in the drip bowl if necessary.
13. Rinse out the machine twice as described in the "Rinsing the machine" chapter. The machine is then ready for use.

Switching on the machine

Prerequisites:

- The machine is switched off.
- The power plug is plugged into the socket.
- The water tank is full.
- The coffee bean compartment is full.

To switch on the machine, proceed as follows:



1. Press the on/off switch to switch on the machine.



The rinsing/hot water button flashes and the heating up process starts.

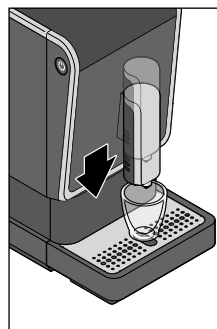
The pump starts after a few seconds. A small amount of water is flushed through the system and dispensed into the drip bowl.



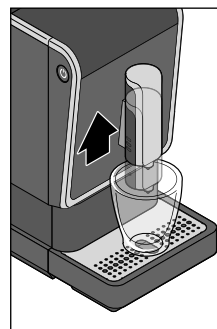
As soon as all the buttons remain permanently lit, the machine will be ready.

Adjusting the height of the coffee spout

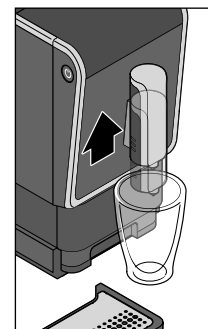
You can adjust the height of the coffee spout to match the size of the cup.



For espresso cups, slide the coffee spout downwards.



For large cups, slide the coffee spout upwards.



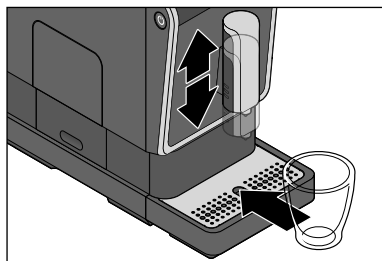
For tall glasses, slide the coffee spout upwards and remove the drip bowl.

Rinsing the machine

After switching the machine on for the first time or if you have not used the machine for longer than two days, rinse the machine by allowing two cups of water to flow through it.

Prerequisite:

- The machine is switched on and ready for operation.



1. Slide the coffee spout up or down as required.
2. Place an empty container underneath the coffee spout.

3. Press the rinsing/hot water-button. The pump will flush water through the system to be dispensed into the container below.

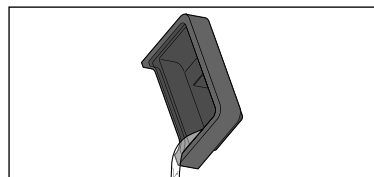


CAUTION - Risk of burns from hot liquids

Hot water or coffee from the coffee spout may cause burns.

- Do not touch the coffee spout during and shortly after use of the machine.

4. Pour the water away.
5. Repeat steps 2 to 4.

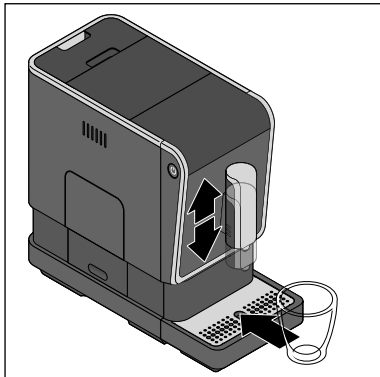


6. Pour out the water in the drip bowl if necessary.

Make a coffee

Prerequisite:

- The machine is switched on and ready for operation.



1. Adjust the height of the coffee spout as required.
2. Place a cup under the coffee spout.

3. Press the button for the type of coffee you would like:



Espresso or

Regular coffee or

Large coffee.

The grinding and brewing process starts and stops automatically.



CAUTION - Risk of burns from hot liquids

Hot water or coffee from the coffee spout may cause burns.

- Do not touch the coffee spout during and shortly after use of the machine.



A small amount of coffee is pre-brewed so that the aroma can best unfold. This process can be identified by the short pause at the beginning of the brewing process.



If there is too little water in the tank while making coffee, the machine will stop the brewing process. The brewing process will automatically resume once the water tank has been filled and reinserted in the machine.

- ▷ If you would like to stop the brewing process prematurely, press the same coffee button again while brewing.

Tip: You can change the amount of the beverage. Learn more about how to do this in the "Adjusting the amount of the beverage" chapter.

Default settings upon purchasing the machine:

Espresso 2 US.fl.oz. (59 ml)

Regular coffee 6 US.fl.oz. (177 ml)

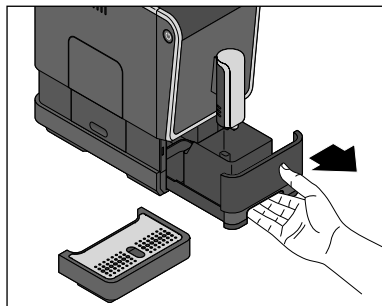
Large coffee 8 US.fl.oz. (237 ml)

Empty coffee grounds container, leftover water tray and drip bowl

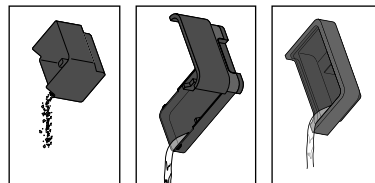


When the coffee grounds container is full (after 10 brewings), the "Empty coffee grounds" symbol will light up. The machine must be switched on, and the coffee grounds container must be outside the machine for at least 5 seconds.

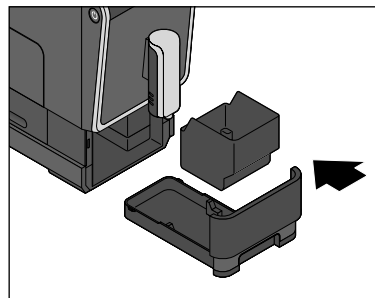
This causes the "Empty coffee grounds" symbol to disappear after the container is put back into the machine.



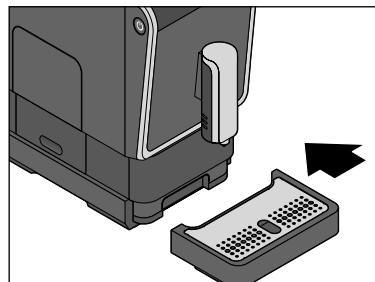
1. Regularly empty the leftover water tray, the coffee grounds container, and the drip bowl: Remove the drip bowl. Pull the leftover water tray with the coffee grounds container out of the machine.



2. Empty the coffee grounds container, the leftover water tray and the drip bowl.




3. Insert the coffee grounds container into the leftover water tray and put the parts back into the machine.



4. Place the drip grid in the drip bowl and connect the parts to the machine.

Preheating the cup

Fill the cup with hot water and then pour it away shortly before using the cup. This helps espresso, regular coffee and large coffee taste their best.

 The hot water dispensed is only suitable for preheating cups. It is NOT suitable for the preparation of tea or other instant drinks.

Prerequisite:

- The machine is switched on and ready for operation.



▶ Press the rinsing/hot water button. About 1.7 US.fl.oz. (50 ml) hot water will be dispensed into the cup below. Pour the water away before starting the brewing process.

Adjusting the strength of the coffee - boost button

Prerequisite:

- The machine is switched on and ready for operation.



1. If you would like the coffee to be stronger, first press the Boost button before pressing one of the coffee buttons. The Boost button flashes.



2. Press the desired coffee button to start the grinding and brewing process. The coffee will then be prepared with more beans.

Adjusting the amount of the beverage

You can change the preset settings for the water quantity permanently. You can customize the setting for each type of coffee: One each for espresso, regular coffee and large coffee.

Default settings upon purchasing the machine:

Espresso 2 US.fl.oz. (59 ml) - **Regular coffee** 6 US.fl.oz. (177 ml) -
Large coffee 8 US.fl.oz. (237 ml)

The amount of drinks can be set between approx 0.8 US.fl.oz. (25 ml) and 8.4 US.fl.oz. (250 ml).

Prerequisite:

- The machine is switched on and ready for operation.

Espresso, regular coffee and large coffee



1. Press the desired coffee button to start the grinding and brewing process.

2. Wait until the beans have been ground.



3. As soon as the coffee starts being dispensed, press and hold the coffee button.

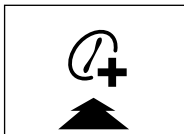
4. Release the button as soon as the desired amount has been dispensed into the cup.

The setting is saved and two beeps sound in confirmation.

If the settings are not to your taste, simply repeat the procedure to change them again.

Restoring the factory settings

You can restore the original settings for the amount of beverage.



1. Press and hold both the on/off switch and the boost button (for approx. 5 seconds) until 2 beeps sound.
2. Release the buttons.

Then the factory settings for the water quantity have been restored.

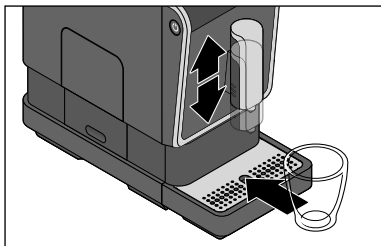
Adjusting the grinding degree

NOTICE - Damage to property

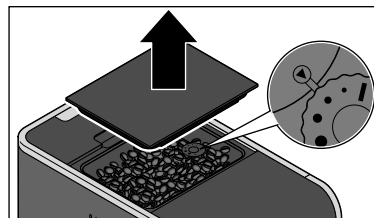
- Grinder settings may only be adjusted while the grinder is operating.
- Adjust the grind degree settings in small increments, and observe the changes after 1 - 2 cups of coffee, before carrying out any new adjustments.

Prerequisite:

- The machine is switched on and ready for operation.



1. Place an empty cup under the coffee spout.



2. Remove the lid from the coffee bean compartment.

The grind regulator is located in the coffee bean compartment. It is preset to level 2 upon delivery.

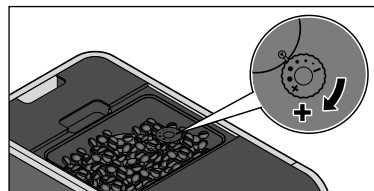
- ▷ To adjust the grinding degree more coarsely, follow steps 3 and 4. For a finer adjustment of the grinding degree, follow steps 5 and 6.

Increasing the coarseness of the grind

Increase the coarseness of the grind when you want the coffee to flow more quickly, for example if the coffee is too strong for your taste.



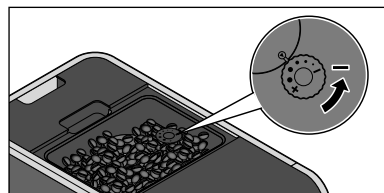
3. Press one of the three coffee buttons, e.g. regular coffee.



4. **While the coffee is being ground**, turn the grind regulator clockwise toward + to a larger dot •.

Increasing the fineness of the grind

Increase the fineness of the grind when you want the coffee to flow more slowly and have more aroma, for example if the coffee is too weak for your taste.



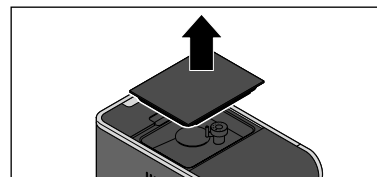
5. Press one of the three coffee buttons, e.g. regular coffee.

6. While the coffee is being ground, turn the grind regulator clockwise toward - to a smaller dot ●.

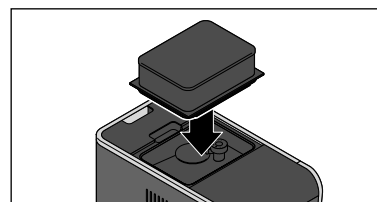
i If the grinding degree setting is too fine, the coffee may flow very slowly.

Expansion for the coffee bean compartment

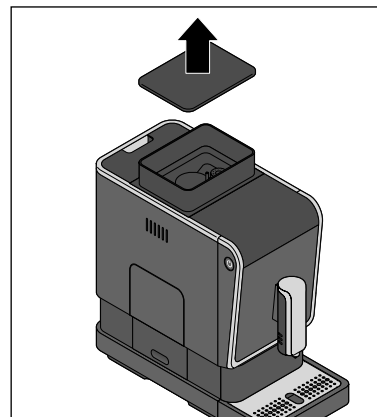
You can increase the capacity of the coffee bean compartment from 5.6 oz. (160 g) to 10.6 oz. (300 g). Proceed as follows:



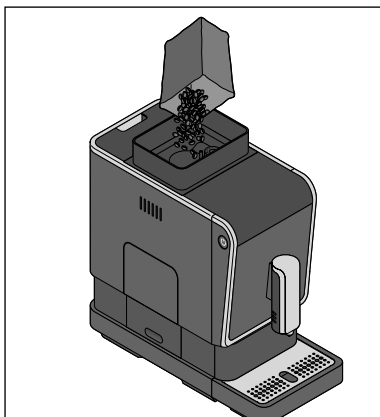
1. Remove the lid from the coffee bean compartment.



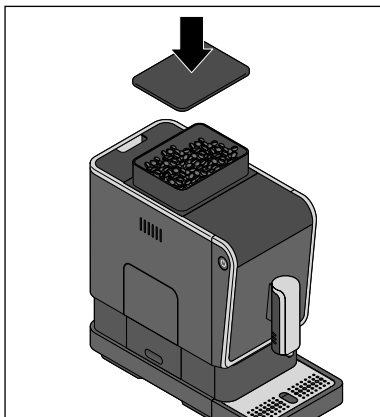
2. Insert the expansion into the opening of the coffee bean compartment as illustrated. Press it all the way in.



3. Take the lid off of the expansion.



4. Fill coffee beans into the coffee bean compartment.



5. Place the lid back on the expansion. Press the lid all the way on so that the aroma protection seal can optimally protect the aroma of the coffee beans.

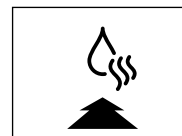
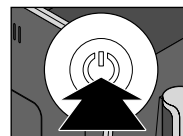
Adjusting the automatic rinsing cycle

At the factory, the machine is preset that the automatic rinsing cycle only starts when the machine is cold. If the machine was already in operation shortly before being switched on and is therefore still warm, the machine will not rinse again. Only after it has cooled down sufficiently, a new rinse cycle is initiated.

You can adjust the rinse cycle so that it takes place automatically each time the machine is switched on again:

Prerequisite:

- The machine is switched on and ready for operation.



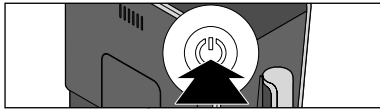
1. Press and hold both the on/off switch and the rinsing button for approx. 5 seconds until 2 beeps sound.
2. Release the buttons.

The automatic rinse cycle now takes place each time the machine is switched on again.



- ▷ To restore the original, temperature-dependent state, proceed in the same way.

Standby mode

Always switch the machine into standby mode using the on/off switch after use. The machine will then use very little energy. If no button is pressed for about ten minutes, the machine will automatically switch to standby mode. This is both a safety function and a way to save energy. You have the choice between four lengths of time after which the machine should switch off automatically: 10 minutes, 20 minutes or 30 minutes or 120 minutes. The different switch-off times can be set as follows:



1. When switching the machine on or off, press and hold the on/off switch for approx. 5 seconds. A beep will sound.

One button lights up constantly , the other three buttons are flashing .

The button lit up permanently shows the set switch-off time.



If the espresso button lights up, the machine will switch off after 10 minutes.

If the regular coffee button lights up, the machine will switch off after 20 minutes.

If the large coffee button lights up, the machine will switch off after 30 minutes.

If the boost button lights up, the machine will switch off after 120 minutes.

2. Press the button that corresponds to the desired switch-off time. Two signal beeps will sound.

Cleaning



DANGER - Risk of fatal electric shock

An electric shock will result in serious injury or death.

- Remove the mains plug from the wall socket before cleaning the machine.
- Never immerse the machine, mains plug or connecting cord in water or any other liquids.
- Do not clean the machine with a water jet. Clean it only as described in the following instructions.

NOTICE - Material damage due to incorrect cleaning

Incorrect cleaning can damage the machine.

- Do not use any caustic, aggressive or abrasive products for cleaning.
- Do not clean the machine or parts of it in the dishwasher.

	Daily	Weekly	If required
Casing		x	x
Clean the water tank		x	
Rinse the water tank	x		
Filter		x	
Coffee grounds container, left-over water tray, drip bowl	x		x
Brewing unit		x	

Cleaning the casing

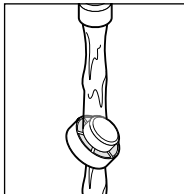
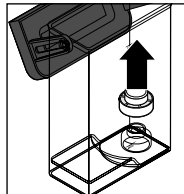
- ▷ Wipe the casing with a soft, damp cloth.
- ▷ Also wipe the compartment for the leftover water tray with a soft, damp cloth as required.

Clean the water tank

- ▷ Clean the water tank with a little washing-up liquid. Then rinse it out thoroughly under running water and dry it. The water tank is not dishwasher safe.
- i** Rinse the water tank under running water daily. This will prevent limescale deposits or other particles clogging the filter on the bottom of the water tank.

Cleaning the filter

The filter in the water tank can be removed in order to remove limescale and similar deposits.

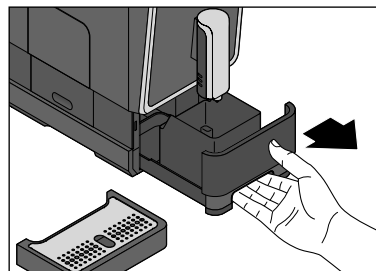


1. Pull the filter up and out.
2. Rinse it off under running water.

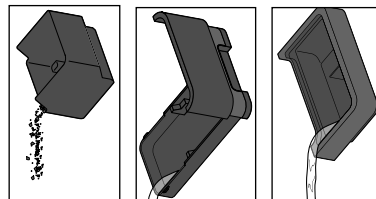
3. Then reinsert it in the opening in the water tank, pressing it in as far as it will go.

Cleaning the leftover water tray, the coffee grounds container and the drip bowl/grid

- i** The machine has a built-in counting function that resets automatically when the coffee grounds container is emptied. The machine must therefore be switched on during cleaning.

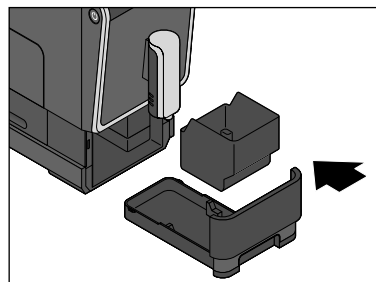


1. Remove the drip bowl.
2. Pull the leftover water tray with the coffee grounds container out of the machine.

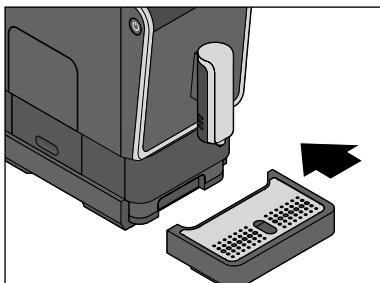


3. Empty the coffee grounds container, the leftover water tray and the drip bowl.

4. Wash all parts using a washing-up liquid. Dry all parts thoroughly.



5. Insert the coffee grounds container into the leftover water tray and put the parts back into the machine. The leftover water tray must have been outside the machine for at least 5 seconds for the counting function to reset.



6. Place the drip grid in the drip bowl and connect the parts to the machine.

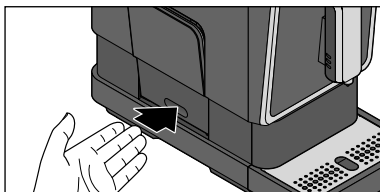
Cleaning the brewing unit



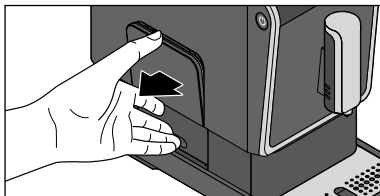
CAUTION - Danger of burns from a hot brewing unit

The brewing unit becomes hot when preparing a drink.

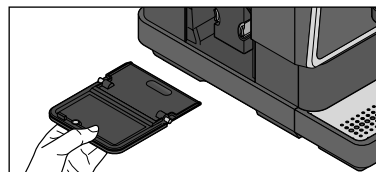
- Do not clean the brewing unit during or shortly after use.
- Switch off the machine and let the brewing unit cool down before cleaning it.



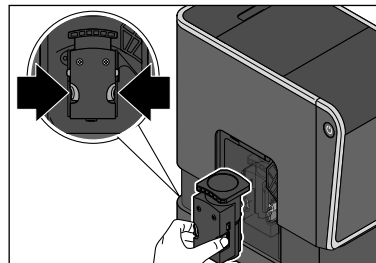
1. Press on the lower part of the brewing unit cover as illustrated. The cover folds out a little at the top.



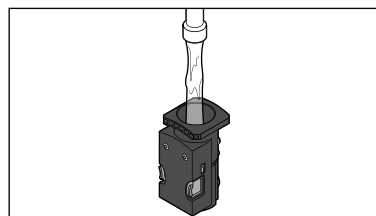
2. Take hold of the cover at the top.



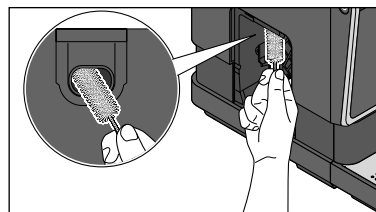
3. Remove the cover from the machine.



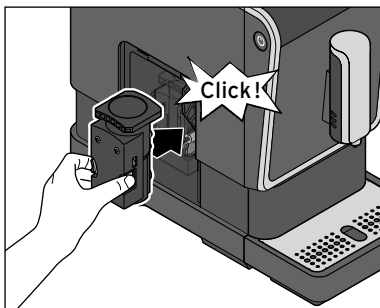
4. Firmly press and hold the two orange-colored buttons and pull the brewing unit straight forward out of the machine.



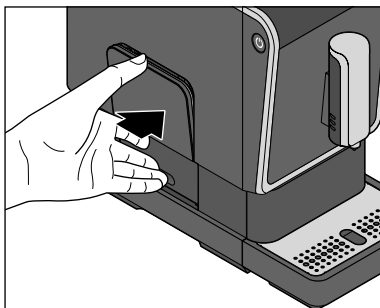
5. Rinse the brewing unit under warm, running water.
6. Then let the brewing unit dry completely.



7. Use the supplied cleaning brush to remove any leftover coffee grounds or powder from the brewing unit compartment.



8. Press the brewing unit back into the machine using some force, and without pressing the orange-colored buttons. **You should hear and feel the brewing unit lock into place. The brewing unit must be firmly seated in the holder.**




9. Set the cover back into the machine over the brewing unit. It is held in place by magnets.

Descaling

NOTICE - Material damage due to limescale

Formation of limescale could damage the machine.

- **Descale the machine as soon as the machine indicates that this is necessary.** This increases its service life and saves energy.
- Do not use any descaling agents made on the basis of formic acid.
- Use a standard, liquid, descaling agent suitable for coffee and espresso machines. Other agents may damage materials in the machine and/or have no effect.

-  • The descaling process cannot be interrupted. If the descaling process was nevertheless interrupted (for example by a power failure), it must be completed the next time the machine is switched on. The use of the machine is blocked and not possible.
- Do not open the side door or try to turn the brewing unit when the power is off. The brewing unit will set itself to the correct position the next time it is switched on.



When the "Descale" symbol lights up in the display, the machine needs to be descaled.

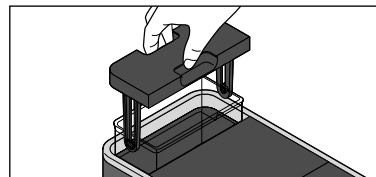
Descale the machine within the next few days. Do not wait any longer, otherwise so much limescale may collect that a descaling agent will no longer have any effect.

The descaling process takes about 15 minutes.

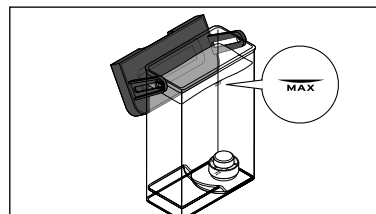
Do not leave the machine unattended during the descaling process.

Prerequisite:

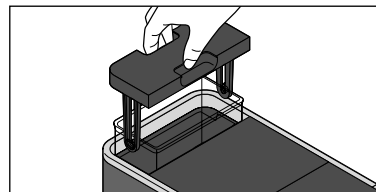
- The machine is switched on and ready for operation.



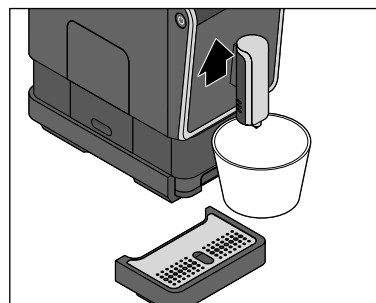
1. Pull the water tank up and out of the machine.



2. Pour a standard, liquid, descaling agent suitable for coffee and espresso machines into the empty water tank. Add water up to the MAX mark. Follow the manufacturer's instructions for the liquid descaler.

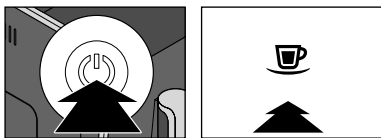


3. Reinsert the water tank in the machine and push it down as far as it will go.



4. Place an empty container (with a capacity of at least 17 US.fl.oz (500 ml)) under the coffee spout. Remove the drip bowl.

You will need to empty this container several times during the descaling phase. We recommend using two containers. This facilitates the emptying process.



- Press and hold both the on/off switch and the espresso button (for approx. 5 seconds) until 2 beeps sound.
- Release the buttons.



The "Descal" symbol is lit up and ...



... the espresso button flashes.



- Press the espresso button to start the descaling process.



The "Descal" symbol flashes.

The descaling process begins. **The descaling process takes about 15 minutes.** The machine pumps descaling solution into the pipes several times at short intervals. Each time, a small amount of water runs into the container.

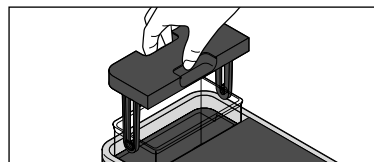
- Pour out the dispensed water in time to ensure that the container does not overflow.



When finished, the "Descaling" symbol lights up, and the "Fill water" symbol and ...



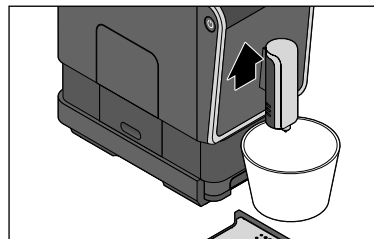
... the espresso button flash.



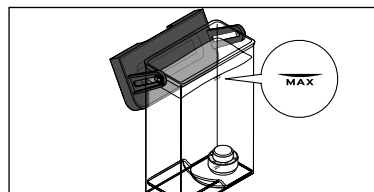
- Take the water tank out of the machine.

- Thoroughly clean the water tank as described in the "Cleaning" chapter / section "Cleaning the water tank".

Rinsing phase



- Place an empty container (with a capacity of at least 17 US.fl.oz (500 ml)) under the coffee spout. Remove the drip bowl if necessary. You will possibly need to empty this container several times during the rinsing phase.



- Fill the water tank with cold tap water up to the MAX mark.
- Reinsert the water tank in the machine and push it down as far as it will go.



The "Refill water" symbol goes out and the rinsing phase begins automatically after a few seconds.

About half of the water in the tank is rinsed through the machine.
The machine will then pause for about 1 minute. Then the second half of the water in the tank is rinsed through the machine. **Afterwards, the machine will automatically switch into standby mode.** The descaling process is completed.

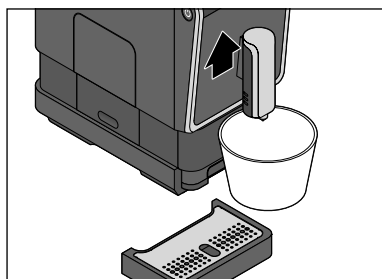
For a long period of non-use

If you do not use the machine for a longer period of time, for example when you go on holiday, we recommend cleaning the machine for hygienic reasons. Follow the steps from the "Cleaning" chapter.

Remove the water from the piping system of the machine.

Prerequisite:

- The machine is switched on and ready for operation.



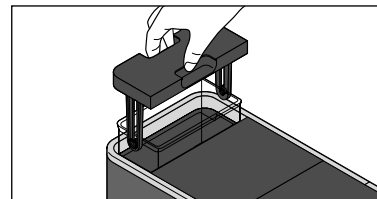
1. Place an empty container (with a capacity of at least 8.4 US.fl.oz (250 ml)) under the coffee spout. Remove the drip bowl if necessary.



2. Press and hold both the regular coffee button and the on/off switch (for approx. 5 seconds) until 2 beeps sound.
3. Release the buttons.



The "Empty system" symbol flashes.



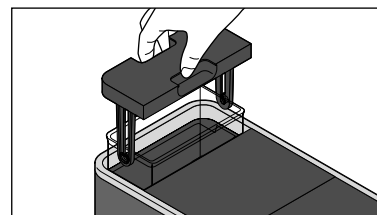
4. Pull the water tank out of the machine and pour away any remaining water in the water tank.



The "Empty system" symbol now lights up permanently.

The pump transports the remaining water out of the pipes of the machine. It stops automatically as soon as there is no more water inside. The residual water runs into the container beneath the spout.

Afterwards, the machine will automatically switch into standby mode.



5. Reinsert the water tank in the machine and push it down as far as it will go.

When you wish to use the machine again at a later time, proceed as described in the "Initial operation - prior to first use" chapter.

Problems / solutions



The "Refill water" symbol is lit up.

Is the water tank empty? Remove the water tank, fill it with fresh water and put it back into the machine. The pump starts automatically and continues with the brewing process, for example.

Was the water tank pulled out of the machine during brewing process? This will immediately stop the brewing process. Put the water tank back into the machine.



The "Refill beans" symbol is lit up.

Is the coffee bean compartment empty? Fill beans into the coffee bean compartment. The coffee beans will automatically be pulled into the grinder and ground during the next grinding/brewing process.



The "Empty coffee grounds" symbol is lit up or flashing.

Is the container for the coffee grounds full? Empty the coffee grounds container. Wait at least 5 seconds. Put the coffee grounds container together with the leftover water tray back into the machine (see chapter "Emptying the coffee grounds container, leftover tray and drip tray").

Is the leftover water tray with the container for the coffee grounds not correctly inserted in the machine? Remove the parts and put them back into the machine correctly (see step 3 in the chapter "Emptying the coffee grounds container, leftover water tray and drip bowl").



The "Brewing unit" symbol is lit up.

Is the brewing unit or the brewing unit cover not correctly in place? Remove the brewing unit cover and make sure the brewing unit is firmly in place (see "Cleaning" chapter / section "Cleaning the brewing unit").



The "Descale" symbol is lit up.

The machine needs to be descaled. Do this within the next couple of days. Do not wait any longer, otherwise so much limescale may collect that a descaling agent will no longer have any effect. A self-induced defect of this kind will not be covered by the warranty. Proceed as described in the "Descaling" chapter.

User instructions

The coffee is not hot enough.

Especially in the case of espresso, the quantity of coffee is so small compared with the size of the cup that it cools down quickly. A cold cup intensifies the cooling effect. Warm up the cup beforehand (see chapter "Preheating the cup").

The coffee is too weak.

- ▷ Adjust the grinder to a finer setting.
- ▷ Press the boost button to make the coffee stronger.

The coffee flows slowly out of the coffee spout.

This happens when the grinding degree is very finely adjusted. Adjust the grinder to a coarser setting.

The machine takes an unusually long amount of time to heat up.

The coffee or hot water is only being dispensed in small amounts.

The machine needs to be descaled even if the "Descale" symbol is not lit up. Proceed as described in the "Descaling" chapter.

Additional information and helpful video instructions are available on the Internet at: <https://www.tchibo.com>

Technical specifications

Product number:	398 498
Mains voltage:	120 V ~ 60 Hz
Power:	1350 watts
Power consumption when turned off:	0.5 watts
Protection class:	I
Pump pressure:	275.6 psi (19 bar)
Sound pressure level:	< 80 dB(A)
Dimensions (W x D x H):	7.1 in. x 15.7 in. x 12.4 in. (18 x 40 x 31.5 cm)
Weight	18.1 lbs (8.2 kg)
Automatic switch-off:	After 10, 20, 30, or 120 minutes
Preset brew quantities:	Large coffee 8 US.fl.oz. (237 ml) Regular coffee 6 US.fl.oz. (177 ml) Espresso 2 US.fl.oz. (59 ml)
Coffee grounds container:	approx. 10 portions
Headquarters:	Tchibo GmbH Überseering 18 22297 Hamburg Germany

In the course of product improvement, we reserve the right to make technical and optical modifications to the product.



Product number: 398 498

Disposal

The product and its packaging have been manufactured from valuable materials that can be recycled. This reduces the amount of refuse and helps to preserve the environment.

Dispose of the **packaging** and sort materials by type. Make use of the local facilities provided for collecting paper, cardboard and lightweight packaging.



Appliances marked with this symbol must not be disposed of along with household refuse!

Customer Service USA

Napco, Inc.

Phone: 888-824-4261

Opening Times: 8:30 am - 4 pm CST

Email: info@tchibo.us

Website: www.tchibo.us

