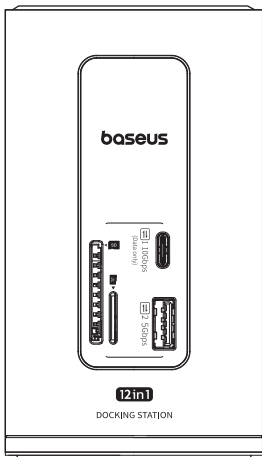


baseus



**User Manual | Bedienungsanleitung |
Manual del usuario | Manuel d'utilisation |
Petunjuk Penggunaan | Manuale d'uso |
取扱説明書 | 사용자 설명서 |
Gebruikershandleiding |
Podręcznik użytkownika | Manual do Usuário |
Руководство пользователя |
Kullanım Kılavuzu | Посібник користувача |
Hướng dẫn sử dụng | 使用手冊 |
مدخستس مل ا ل يلد**

Content

Docking Station ×1

User manual ×1

Warranty card ×1

*Chargers or cables are not included.

Specifications

Name: Baseus Nomos II NU Air Spacemate 12-in-1 Docking Station

Model No.: BS-OH198

Input Port: USB-C

Output Ports:

Video1 HDMI: 4K@60Hz (Max.)

Video2 HDMI: 4K@60Hz (Max.)

2 × USB-C 3.2: 10Gbps (Max.) data only

2 × USB-A 3.0: 5Gbps (Max.)

2 × USB-A 2.0: 480Mbps (Max.)

SD/TF: UHS- I , 104MB/S Max.

Gigabit Ethernet: 1Gbps

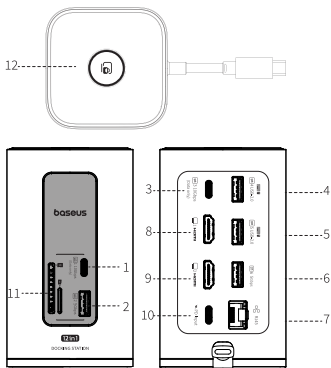
USB-C (PD): 100W Input (Max.)

Input: 5V=3A; 9V=3A; 15V=3A; 20V=5A

Output: 5V=0.5A; 5V=0.9A

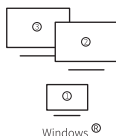
Operating Systems: Windows, macOS, Linux, Vista

To Connect Ports



No.	Name	Description
1	USB Port 1	USB-C 10Gbps (Max.) ultra-high-speed data transmission interface; does not support charging
2	USB Port 2	USB-A 5Gbps (Max.) ultra-high-speed data transmission interface; does not support charging
3	USB Port 3	USB-C 10Gbps (Max.) ultra-high-speed data transmission interface, does not support charging
4	USB Port 4	USB-A 2.0 480Mbps (Max.) high-speed data transmission interface; for connecting devices such as a mouse, keyboard, flash drive, hard drive, or receiver
5	USB Port 5	USB-A 2.0 480Mbps (Max.) high-speed data transmission interface; for connecting devices such as a mouse, keyboard, flash drive, hard drive, or receiver
6	USB Port 6	USB-A 5Gbps (Max.) ultra-high-speed data transmission interface; does not support charging
7	RJ45	1000Mbps (Max.), backward compatible with 100Mbps, 10Mbps
8	Video 1 HDMI	4K@60Hz (Max.); supports connection to HDMI high-definition display
9	Video 2 HDMI	4K@60Hz (Max.); supports connection to HDMI high-definition display.
10	PD input	Power Delivery USB-C ports at 100W Max.
11	SD/TF	UHS- I , 104MB/S Max.
12	Button	<p>Top button: Lights up when powered on. Short press once to lock the computer screen. Press and hold to enter power saving mode -HDMI Ports, USB Ports, SD/TF, and RJ45 will be turned off and cannot work normally; the PD (Power Delivery) input port still work and can be used to recharge.</p>

To Project Screens



Windows MST Mode 1

Windows DP1.4 Output with DSC (Display Stream Compression)

	HDMI 1	HDMI 2
Single Display	3840x2160@60Hz	3840x2160@60Hz
Dual Display	3840x2160@60Hz	3840x2160@60Hz

Windows MST Mode 2

Windows DP1.4 Output w/o DSC (Display Stream Compression)

	HDMI 1	HDMI 2
Single Display	3840x2160@60Hz	3840x2160@60Hz
Dual Display	3840x2160@30Hz	3840x2160@30Hz

Windows MST Mode 3

Windows DP1.2 Output

	HDMI 1	HDMI 2
Single Display	3840x2160@30Hz	3840x2160@30Hz
Dual Display	1920x1080@60Hz	1920x1080@60Hz

MAC SST Mode 1

macOS DP 1.4

	HDMI 1/DP 2	HDMI 2
Single Display	3840x2160@60Hz	3840x2160@60Hz
Dual Display	3840x2160@60Hz	3840x2160@60Hz

MAC SST Mode 2
macOS DP 1.2

	HDMI 1	HDMI 2
Single Display	3840x2160@30Hz	3840x2160@30Hz
Dual Display	3840x2160@30Hz	3840x2160@30Hz

Attention

Extending and mirroring are only for devices with Type-C ports supporting this function, otherwise it can only be used for charging and data transmission.

Please keep the product away from fire source and DO NOT dismantle or repair the product by yourself. Please contact our customer service for help if you have any problem with the product.

FAQs

1. What's the requirement for using this product?
 - a. Make sure the Type-C port of your device is full-featured (with charging, data transfer and DP Alt Mode function). Some functions, for example, mirroring or extending screen cannot be used if it is not full-featured.
 - b. Features of a full-featured Type-C port: charging, data transfer and DP Alt Mode, up to 10Gbps of data transmission speed, USB 3.2 standard, and backward compatible with USB 2.0/1.1. Non-full-featured ports support only data output.
2. Why cannot cast a screen through HDMI port?

Select a proper HDMI signal source. For example, monitors or TVs normally have HDMI 1 and HDMI 2 input labeled. For LG displays, go to Settings > Input > Input List > Select HDMI1 or 2.
3. Why is the resolution not up to as the advertised?

This HUB is compatible with DP1.2 and 1.4, but the actual resolution ratio depends on the hardware of the connected device, if the connected device (laptop, HDMI cable, display) can't meet the promoted resolution ratio of this product, then it can't project with the highest resolution ratio.

4. Why is the product hot during operation?

a. It is normal for the HUB to generate heat in the process of operation.

b. The HUB has a built-in chip. The more types and quantity of interfaces a HUB has, the stronger processing power and more heat the chip delivers. Shells made of metal materials has better heat dissipation to prevent the chip from overheating, causing the instability of the HUB or failures such as disconnection.

5. Why can't Apple computers have multiple screens with different displays?

MAC computers do not support Multi-Stream Transport (MST) because macOS does not define the multi-screen display function.

6. Why does connecting multiple hard drives result in data transmission failure?

If the workstation is fully loaded or multiple high-power hard drives are connected, please connect a 100W PD Charger to avoid a bad experience due to insufficient power supply.

Цей WEEE символ вказує на те, що цей виріб не має вважатися побутовими відходами. Натомість виріб необхідно здати до відповідного пункту збору та переробки електричного та електронного обладнання. Дотримуйтеся місцевих нормативно-правових актів і ніколи не утилізуйте виріб із нормальними побутовими відходами.

Bu WEEE sembol, bu ürünün evsel atık olarak değerlendirilmemesi gerektiğini belirtir. Elektrikli ve elektronik ekipmanların geri dönüşümünü yapan toplama noktalarına teslim edilmelidir. Yerel kurallara uyun ve ürünü asla normal ev atıklarıyla birlikte atmayın.

يشير WEEE هذا الرمز إلى عدم إمكانية التخلص من هذا المنتج كنفايات منزلية. وبدلاً من ذلك، يتم التخلص من المنتج في نقطة تجميع النفايات الخاصة بإعادة تدوير الأجهزة الكهربائية والمعدات الإلكترونية. احرص على اتباع القواعد المحلية ولا تتخلص مطلقاً من المنتج مع النفايات المنزلية العادية.

Changes or modifications not expressly approved by the party responsible for compliance could void the user's authority to operate the equipment.

This device complies with Part 15 of the FCC Rules.

Operation is subject to the following two conditions:

- (1) This device may not cause harmful interference, and
- (2) This device must accept any interference received, including interference that may cause undesired operation.

Note: This equipment has been tested and found to comply with the limits for a Class B digital device, pursuant to Part 15 of the FCC Rules. These limits are designed to provide reasonable protection against harmful interference in a residential installation. This equipment generates, uses, and can radiate radio frequency energy, and if not installed and used in accordance with the instructions, may cause harmful interference to radio communications. However, there is no guarantee that interference will not occur in a particular installation. If this equipment does cause harmful interference to radio or television reception, which can be determined by turning the equipment off and on, the user is encouraged to try to correct the interference by one or more of the following measures:

- Reorient or relocate the receiving antenna.
- Increase the separation between the equipment and receiver.
- Connect the equipment into an outlet on a circuit different from that to which the receiver is connected.
- Consult the dealer or an experienced radio/TV technician for help.



Facebook
@Baseus.fans



Instagram
@baseus_global



X (Twitter)
@Baseus_Global



YouTube
@Baseusofficial



TikTok
@baseus.us

HDMI™

HIGH-DEFINITION MULTIMEDIA INTERFACE

The Adopted Trademarks HDMI, HDMI High-Definition Multimedia Interface, and the HDMI Logo are trademarks or registered trademarks of HDMI Licensing Administrator, Inc. in the United States and other countries.



Gancio	Manuale
PP 5	PAP 22
Raccolta plastica	Raccolta carta
Film protettivo del prodotto	Manuale
PP 5	PAP 22
Raccolta plastica	Raccolta carta

Warning Please follow the above safety instructions otherwise it will cause fire, electric shock, damage or other injuries.



PAP
Raccolta carta



FR
Cet appareil
se recycle



À DÉPOSER
EN MAGASIN

ou



À DÉPOSER
EN DÉCHÈTERIE

Points de collecte sur www.quefairede mesdechets.fr
Privilégiez la réparation ou le don de votre appareil !

Designed by Baseus / Made in China / PB6278Z-P0A0 / 1100000000

Manufacturer: Shenzhen Baseus Technology Co., Ltd.

Add: 2nd Floor, Building B, Baseus Intelligence Park, No.2008, Xuegang Rd, Gangtou Community, Bantian Street, Longgang District, Shenzhen

Website: www.baseus.com

If you need help, please contact us.



(Global) +1 800 220 8056



(Global) care@baseus.com